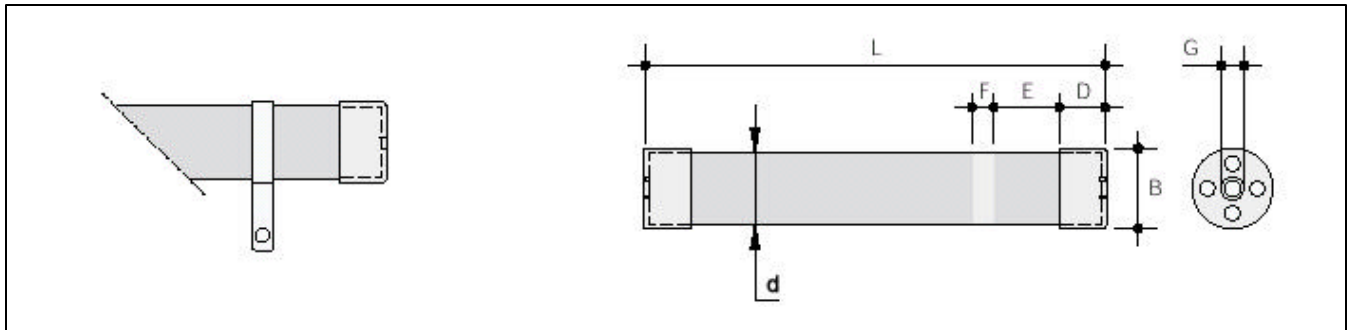




UD , HD High Voltage Divider Set, Thick film, Non-Inductive R1 & R2

Precision High Voltage Dividers, Various Voltage Ratio, High Frequency; Economic Price

WILLOW offers the UD and HD series to meet the special purpose of requirements High Voltage Dividers at very reasonable prices. Ultra Precision High Voltage Probes, Precision Multi Channel Input Impedance R1+Rn, Various Precision Voltage Dividing Equipments. Resistance value up to 10000Gigohm. Voltage up to 80kVDC typ., Power up to 50W, Custom Voltage Ratio & Voltage Available. Cap(Taps) & Rugs types, Tap to Tap types, Axial wire leads types available.



SPECIFICATIONS

Absolute Resistance Tolerance : 1% typ.

Voltage Ratio : 0.1% ~1.0%

Temperature Coefficient : 100ppm/°C typ. referenced to 25°C, from -15°C to +105°C, other TCR available upon requests.

Overload/Voltage : 1.5 x rated power for 5sec : ΔR 0.25%(do not exceed 1.5 x V max)

Thermal Shock : Mil-Std-202, Method-107, Cond. C, ΔR 0.25% max.

Load Life : 1.000 hours at rated power ΔR 0.50%

Moisture Resistance : Mil-Std-202, Method 106, ΔR 0.5%.

Insulation Resistance : 10,000Megohms Min.

Termination Cap of Material: Tinned plated Cap, or Nickel Plated Cap, Bronz Cap

Encapsulation : Epoxy Conformal Coat, Polymer Conformal coat or Glass coat

MODELS

| Model No. | Wattage | Max. Wrkg Volt[kV] | Resistance [Ω] Max R1+R2 | Voltage Ratio up to |
|-----------|---------|--------------------|--------------------------|---------------------|
| HD10 | 2 | 10 | 10,000G | 1:20000 |
| HD15 | 3.5 | 15 | 10,000G | 1:20000 |
| HD22 | 5 | 22 | 10,000G | 1:20000 |
| HD32 | 7.5 | 32 | 10,000G | 1:20000 |
| UD40 | 10 | 40 | 10,000G | 1:20000 |
| UD48 | 10 | 48 | 10,000G | 1:20000 |
| UD80 | 50 | 80 | 10,000G | 1:20000 |

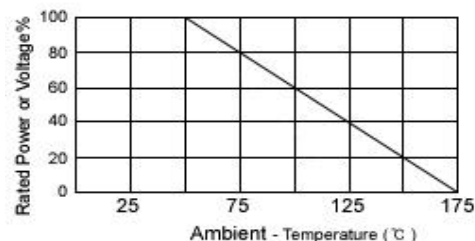
* Custom design & Voltage Ratio available.

DIMENSIONS

| Model No. | L + / -3 | B + / -2 | d + / -2 | D + / -1 | E + / -2 | F + / -1 | G |
|-----------|-------------|-------------|-------------|-------------|-------------|-------------|-----|
| HD10 | R1:39 | 8 | N/A | N/A | N/A | N/A | N/A |
| HD15 | R1:52 | 8 | N/A | N/A | N/A | N/A | N/A |
| HD22 | R1:76 | 8 | N/A | N/A | N/A | N/A | N/A |
| HD32 | R1:102 | 8 | N/A | N/A | N/A | N/A | N/A |
| UD40 | 158 | 16 | 13 | 12 | 12.7 | 5 | M4 |
| UD48 | 180 | 10 | 10 | 12 | N/A | N/A | M4 |
| UD80 | 308 | 32 | 18 | 18 | 40 | 7 | M8 |

1) UD48, Axial Lead wire type available
2) HD series: independable R1 + R2, 1.0 dia axial leads type R2 of dimension is 5dia x 15, or 7dia x 24 available

DERATING CURVE



cf.: The described specifications & dimensions subject to change without notice.