

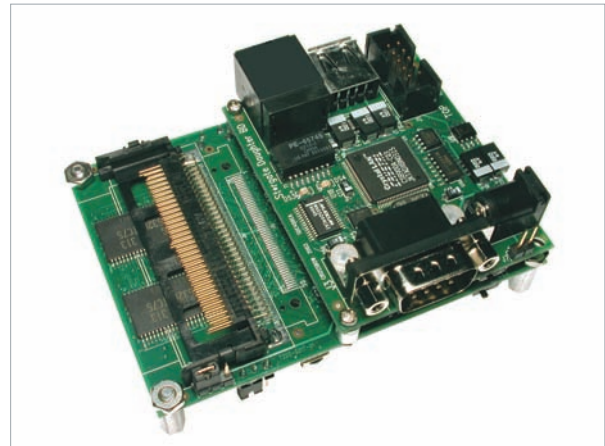
# STARGATE

## X-SCALE, PROCESSOR PLATFORM

- 400 MHz, Intel PXA255 Processor
- Low Power Consumption <500 mA
- Embedded Linux BSP Package, Source Code Shipped with Kit
- Small, 3.5" x 2.5" Form Factor
- PCMCIA and Compact Flash Connector
- 51-pin Expansion Connector for MICAz/MICA2 Motes and other Peripherals
- Ethernet, Serial, JTAG, USB Connectors via 51-pin Daughter Card Interface
- Li-Ion Battery Option

## Applications

- Single-Board Embedded Linux Computer
- Sensor Network Gateway
- Custom 802.11a/b Gateway
- Robotics Controller Card
- Distributed Computing Platform



## STARGATE

The Stargate is a high-performance processing platform designed for sensor, signal processing, control and wireless sensor networking applications. The Stargate is based on Intel's Xscale® processor, and it is the same processor found in today's most powerful handheld computers including the Compaq IPAQ® and the Dell Axim®.

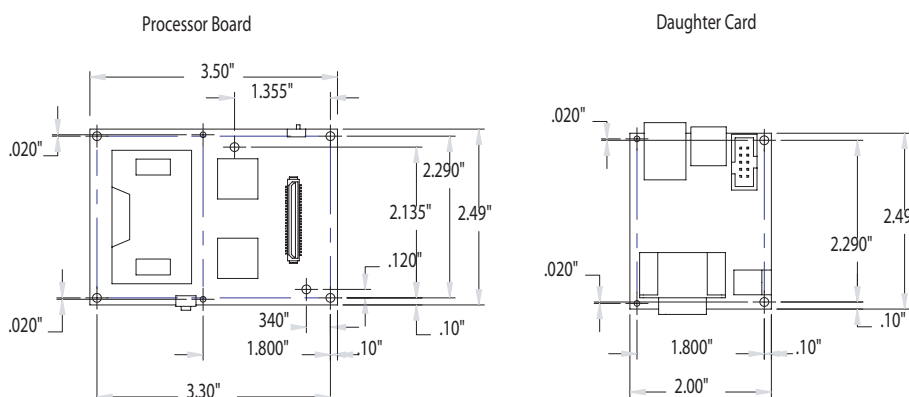
The Stargate processor board is the result of the combined design efforts of several different Ubiquitous Computing research groups within Intel. The completed design is licensed to Crossbow Technology for commercial production. The Stargate processor board is preloaded with a Linux distribution and basic drivers. A variety of useful applications and development tools is also provided. The Stargate processor module is

compatible with Crossbow's MICAz/MICA2 family of wireless sensor networking products (using the embedded TinyOS platform) and the public domain software from Intel's Open-Source Robotics initiative. The Stargate processor module is also an ideal solution for standalone Linux-based Single Board Computer (SBC) applications.

With its strong communications capability and Crossbow's ongoing commitment to its open-source architecture, the Stargate platform offers tremendous flexibility. The SPB400CB Processor Board has both Compact Flash and PCMCIA connectors as well as optional installable headers for 2 serial ports and an I2C port. The SDC400CA Daughter Card supports a variety of additional interfaces, including:

- RS-232 Serial
- 10/100 Ethernet
- USB Host
- JTAG

Finally, the standard MICAz/MICA2 Mote connector on the SPB400CB Processor Board provides support for synchronous serial port, (SSP), UART, and other GPIO connections.

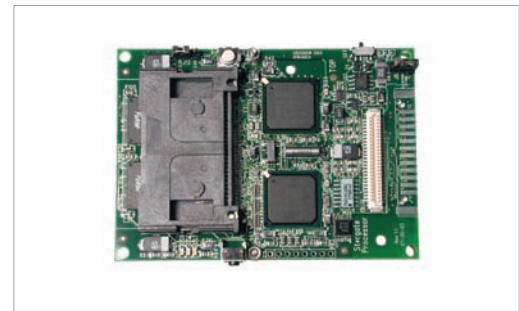


Specifications	Remarks
<b>STARGATE Processor Board</b>	
Intel PXA255, Xscale®	400 MHz, RISC Processor
Intel SA1111, StrongARM®	Multiple I/O Companion Chip
<b>Memory</b>	
64 MB SDRAM	
32 MB FLASH	Linux Software < 10 MBytes
<b>Communications</b>	
PCMCIA Slot	Type II
Compact Flash Slot	Type II
51-pin MICA2/GPIO	UART, SSP via MICA2 Connector
Optional I2C Port	Installable Header
Optional Serial Port (2)	Installable Header
<b>General</b>	
Li-Ion Battery Option	
Watch Dog Timer (WDT)	Configurable up to 60 seconds
Battery Gas Gauge	
LED and User Application Switch	
Power Switch	
<b>STARGATE Daughter Card</b>	
<b>Communications</b>	
10 Base-T Ethernet Port	RJ-45 Connector
RS-232 Serial Port	DB-9 Connector
JTAG Debug Port	
USB Host Port	Version 1.1
<b>General</b>	
A/C Power Adaptor	5-6 VDC, 1 Amp
Reset Button	
Real-Time Clock	
<b>Physical</b>	
Processor Board (in)	3.50 x 2.49 x 0.73
(cm)	9.53 x 6.33 x 1.86
Weight (oz)	1.68
(g)	47.47
Daughter Card (in)	2.49 x 2.00 x 0.60
(cm)	6.33 x 5.08 x 1.52
Weight (oz)	1.42
(g)	40.16
<b>Environmental</b>	
Operating Temperature	0 to +70 (°C)

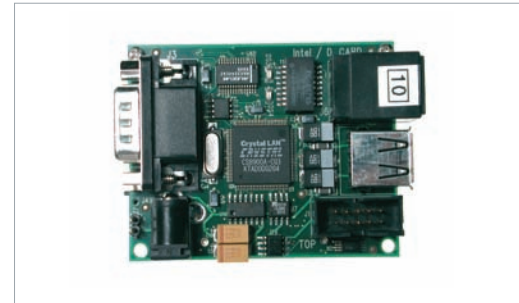
Specifications subject to change without notice

## Ordering Information

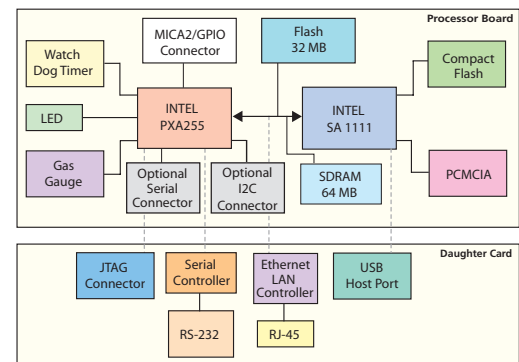
Model	Description
SP-KIT400CA	Stargate Basic Developer's Kit
SP-KIT420CB	Stargate Advanced Developer's Kit including USB webcam and WiFi
SPB400CB	Stargate Processor Board
SDC400CA	Stargate Daughter Card - JTAG, 10/100 Ethernet, Serial, USB Host



Processor Board - Top



Daughter Card



Stargate Block Diagram

### Stargate Basic Kit Contents

- Stargate Processor Board
- Stargate Daughter Card
- Power Supply
- Null Modem Cable
- CD-ROM

### Advanced Kit Contents

- All Basic Kit Contents
- Logitech QuickCam® Pro 4000
- Ambicom Wave2Net® 802.11b CF Card

### CD-ROM Contents

- Linux - Kernel & Driver Sources
- GNU Cross Platform Dev. Tools
- Bootloader with Source Code
- Flash Programming Utility
- Shareware & Test Applications
- Developer's Guide - PDF Format