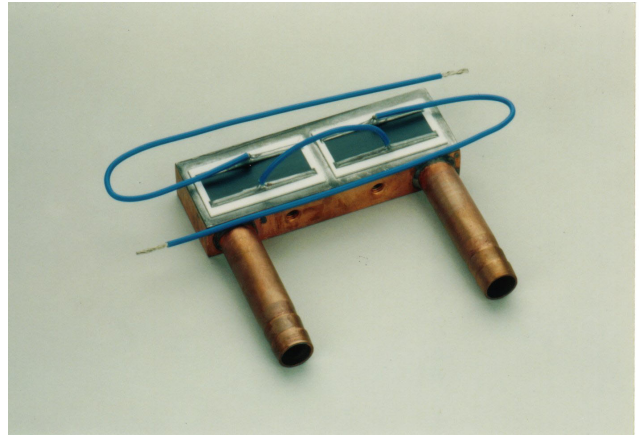


500W WATER COOLING NON-INDUCTIVE
HIGH POWER RESISTORS

RPH-500



Features and Applications

Small size 500W water-cooled non-inductive resistor with very low resistor temperature under operation.

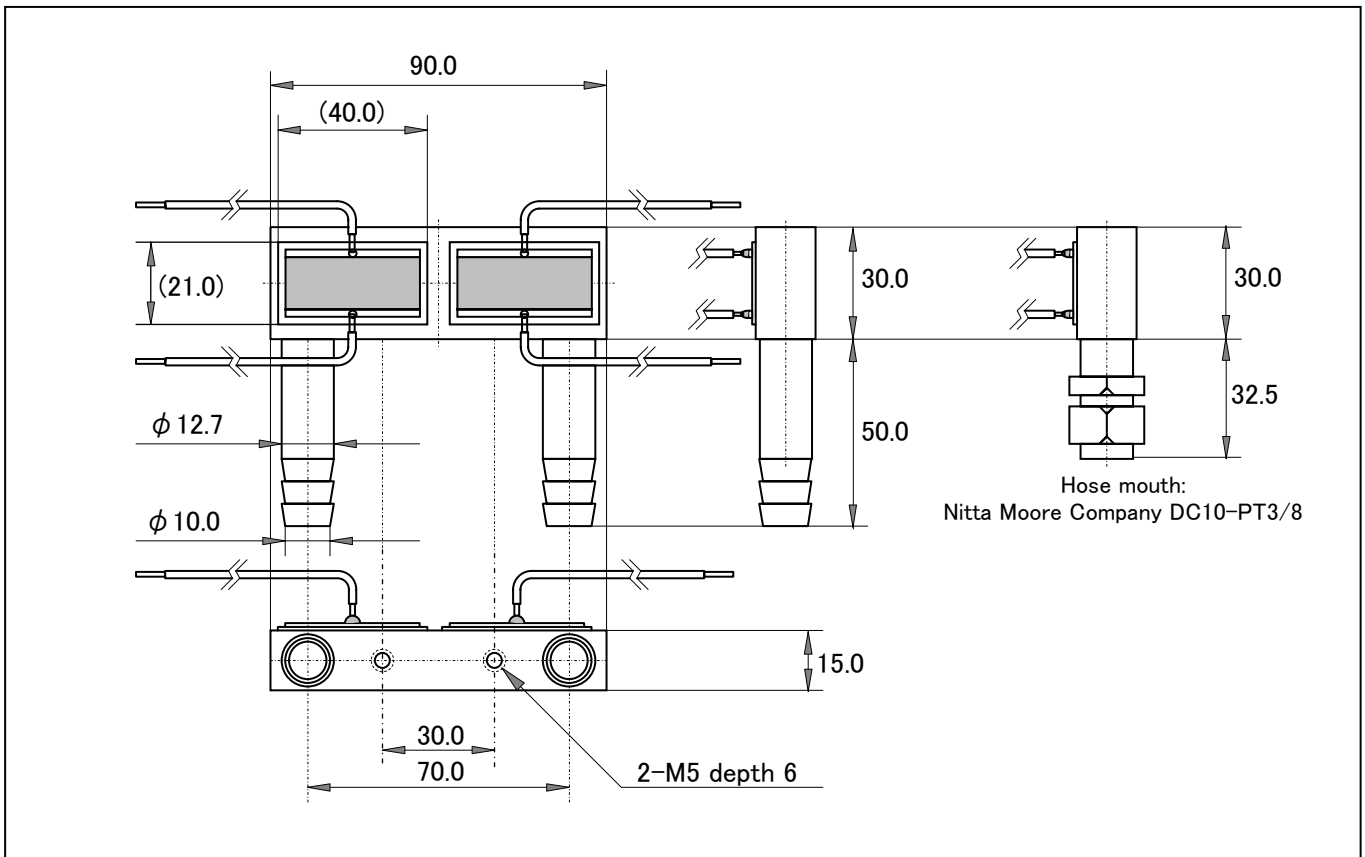
Flat plate resistance and twisted pair leads and special terminal structure (patent) have shown excellent surge absorption performance.

Resistors are insulated from case by high purity alumina substrate, and are guaranteed voltage-proof to 5kV.

Leads type, length, terminal processing (patented), and hose connections can accept arbitrary demands.

Surge suppression resistors for power thyristors and IGBT, used in power supply of electric power conversion systems and of industrial apparatus, and high output AC motor controls.

Dimensions (mm)



**500W WATER COOLING NON-INDUCTIVE HIGH POWER RESISTORS
RPH-500**

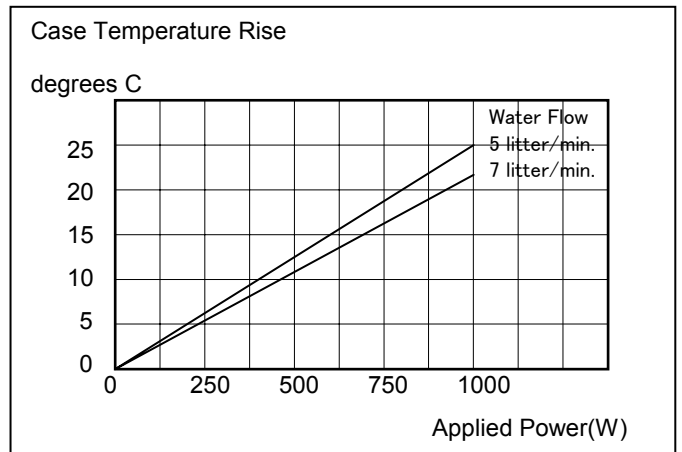
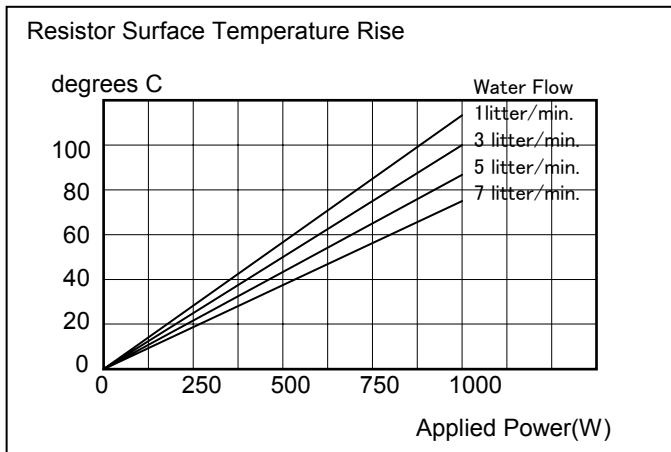
Specifications and Performances

	Specifications
Resistance	Any Value (odd value will be under MOQ 100pcs)
Resistance Range	0.1ohm-1Kohm
TCR	+/-250ppm/ degree C
Tolerance	+/-10%
Series Inductance	40nH/dual resistor, (Typical)
Parallel Capacitance	160pF/dual resistor, (Typical)
Hose Mouth	Standard: Nipple, any types are available.
Water Temperature	+41degreeC maximum at inlet, more than the dew point
Volume of Water Flow	2 liters/minutes minimum.
Water Pressure Loss	0.06Kg/(cm*cm)
Water Temperature Rise	1.4 degree C
Case Temperature Rise	14 degree C
Surface Temperature Rise	50 degree C
Surface Temperature Rise	Maximum 110 degree C
Rating Power	500W (250W/resistor element)
Max. Applied Power	700W (350W/resistor element)
Continuous Impulse Load	Peak Power 37KW/10microseconds/10KHz (Only for reference)
Damaged Impulse Load	100KW peak power/70microsec and 37KW peak power/34microsec.
Terminal Codes	Teflon Insulated Wire (0.18/30, outer diameter 2mm, Blue) , 200mm length.
Dielectric Strength	AC2000V, 60 seconds. (Between terminals and case)
Max Operating Voltage	AC1000V
Insulation Resistance	1000Mohmminimum. (Between terminals and case)
Load Life	+/-2% (Rating 500W, 1000 hours)
Humidity	+/-2%(Rating*0.1, 1000hours, continuous load)
Weight	350 grams

Ordering Information

	Type	TCR	Resistance	Tolerance	Code
RPH-500H10+10ohmKZ00	RPH-500	+/-250ppm/K(H)	10ohm plus 10ohm independent	+/-10%(K)	Z00
RPH-500H20ohmKZ00	RPH-500	+/-250ppm/K(H)	20 Ohms	+/-10%(K)	Z00
RPH-500-999	999: 3 numerical digits specified code from each specification draw, please call factory				

Temperature Rise Characteristics



20050212