

NPS 2-T220



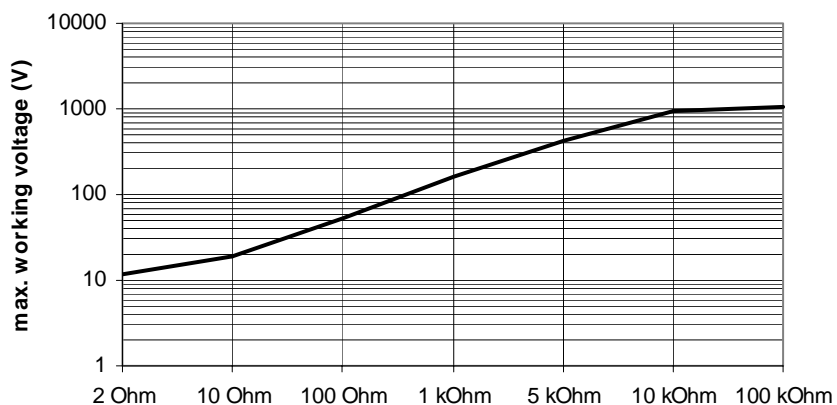
- High Power Rating
- Small Dimensions
- Easy to use
- Low Inductance
- TO220-Housing
- SMD Version

SPECIFICATIONS

ELECTRICAL

Resistor Range	:	0R02 ... 100K
Power Rating	:	1.5 W (70°C) 30 W with heatsink
Tolerances	:	
from 0R02	:	2%, 5%
from 1R0	:	1%, 2%, 5%
Thermal Resistance Rthj-c	:	3.5 K/W
Stability	:	0.5%
Temperatur Coefficient	:	
0R02...0R049	:	±600 ppm/K
0R05...0R099	:	±300 ppm/K
0R1...100K	:	±100 ppm/K
	:	±50 ppm/K upon request
Voltage Proof	:	2.0 kVDC

Max. Voltage



ENVIRONMENTAL

Operating Temperature Range	:	-40°C...155°C
------------------------------------	---	---------------

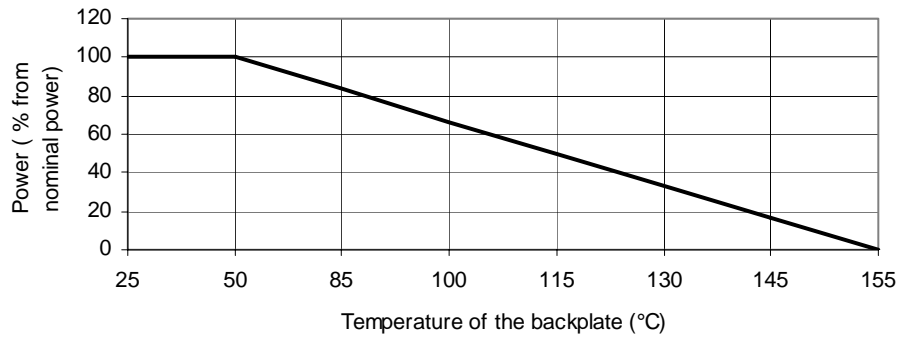
MECHANICAL

Resistor Material	:	Thick Film
Substrate	:	Al ₂ O ₃
Housing	:	Epoxy or PPS
Connector Material	:	Cu tinned

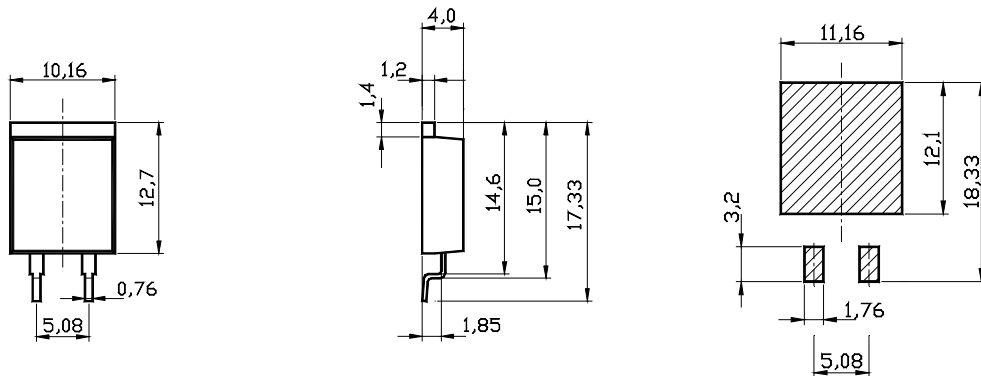
NPS 2-T220



DERATING CURVE



DIMENSIONS



Dimensions in mm

HOW TO ORDER

NPS 2-T220 22K 1%