

# FPS 2-T220 FPS 4-T220



- Extremely Low-Ohm
- Small Dimensions
- High Stability
- Low Inductance
- Low Electrical Noise
- Low Temperature Coefficient

## SPECIFICATIONS

### ELECTRICAL

<b>Resistance Range</b>	:	0R002 ... 50R
<b>Power Rating</b>	:	1.5 W (70°C) 15 W with heatsink
<b>Thermal Resistance Rthj-c</b>	:	4.8 K/W
<b>Tolerance</b>		
<b>from 0R002</b>	:	2%, 5%
<b>from 0R010</b>	:	1%, 2%, 5%
		4-terminal version also 0.1% and 0.25%
<b>from 0R100</b>	:	0.5%, 1%, 2%, 5%
		4-terminal version also 0.1% and 0.25%
<b>Stability</b>	:	0.1%, 0.2%, 0.5% (depends on the stress)
<b>Temperature Coefficient</b>	:	±15 ppm/K (20...60)°C / ±50 ppm/K (-40...130)°C FPS 2-T220 from R<0R2 TCR-Shift depends on resistor value (see table next page)
<b>Max. Current</b>	:	25 A
<b>Insulation Resistance</b>	:	300 VDC
<b>Thermal EMF</b>	:	< 1 µV/K

### ENVIRONMENTAL

<b>Operating Temperature Range</b>	:	-40°C...130°C
------------------------------------	---	---------------

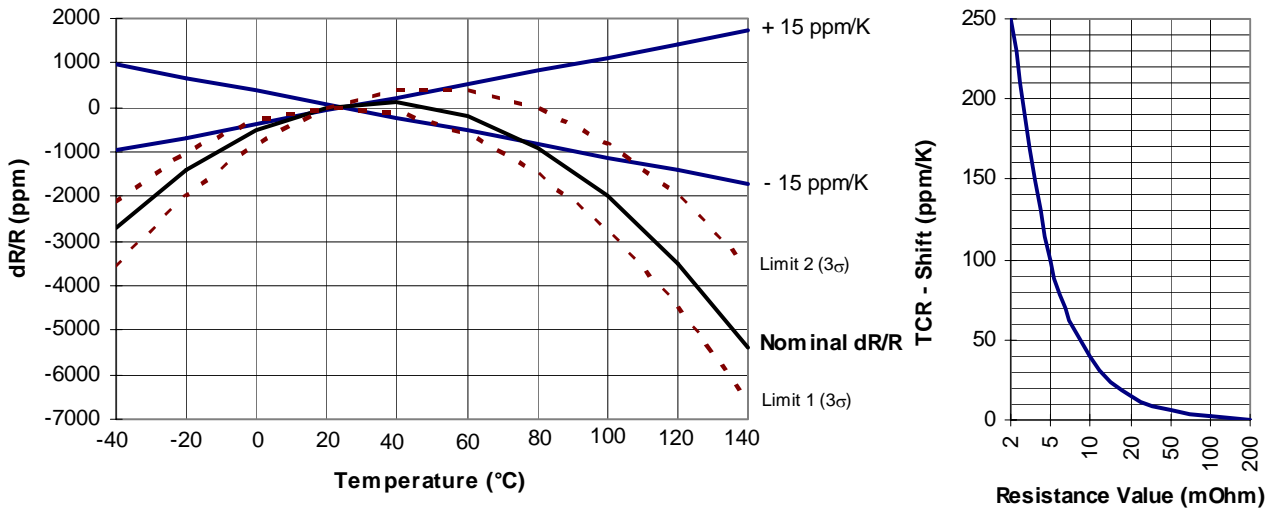
### MECHANICAL

<b>Resistor Material</b>	:	Metalfilm CuNiMn (DIN 17471)
<b>Substrate</b>	:	anodized aluminium mounted on nickel Copperplate
<b>Housing</b>	:	PPS
<b>Connectors</b>	:	Cu tinned, 2-pin or 4-pin

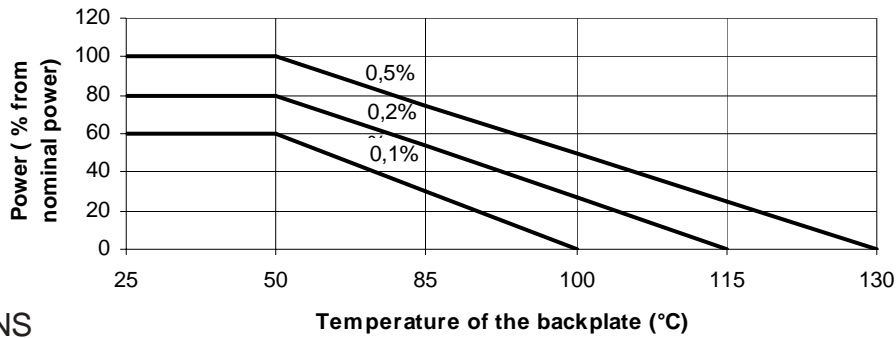
# FPS 2-T220 FPS 4-T220



## TEMPERATURE COEFFICIENT

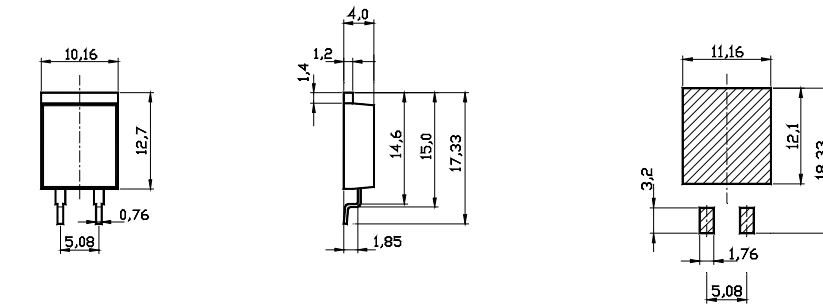


## DERATING CURVE

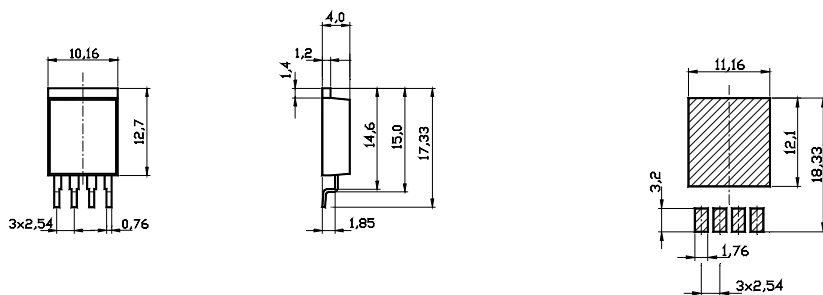


## DIMENSIONS

FPS 2-T220



FPS 4-T220



## HOW TO ORDER

FPS 2-T220 1R0 1%

FPS 4-T220 R010 0.5%