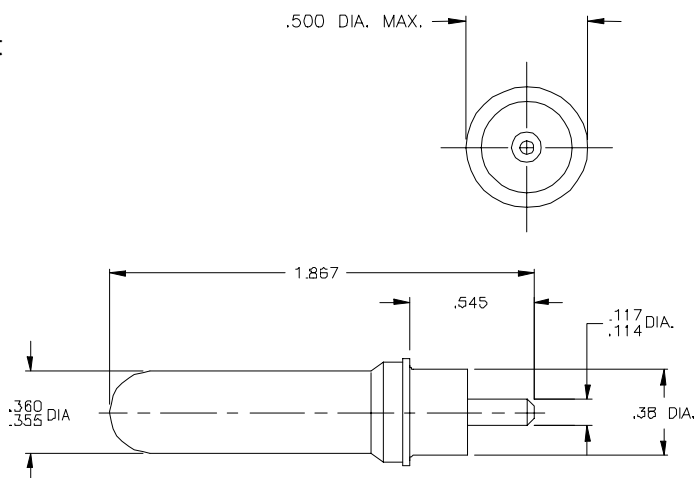


# Part No: 3825 – G8 Series Tilt Switch - Mercury

- Features:**
- \* Un-Insulated
  - \* Form: NO/NC/SPST/Mount dependent
  - \* Angles Referenced from Horizontal
  - \* Single Electrode
  - \* Hermetically Sealed
  - \* Small Package Size
  - \* Narrow Included Angle
  - \* High Current Capability
  - \* Low Contact Resistance
  - \* Long Life



Drawing dimensions in inches.

Tilt switches "make" when the electrode is tilted below horizontal and "break" when tilted above the horizontal. Total travel from "make" to "break" is the "Maximum included angle" shown below. The component to which the switch is attached must have a total tilt angle greater than the "Maximum included angle" for proper operation.

Typical Operating Angle * :	7° - 11°
Maximum included Angle:	11°
	* Make/break angles are electrode + (above) / - (below) 0° horizontal reference
<b>Switch Ratings:</b>	
Max Switching Voltage	480V AC
Max Switching Current	120VAC / 15A: 240VAC / 11A: 480VAC / 8A, 120VDC / 8A: 240VDC / 6A. Tungsten 120V / 1KW: 0.5HP / 480VAC, 0.33HP / 240 VDC
Initial Contact Resistance (Max).	3 milli Ohms
Stand Off Voltage (contact to contact)	2500V
Operating Temperature	-38° to 220°F / -38° to 105°C
Storage Temperature	-40° to 356°F / -40° to 180° C
Typical number of operations at specified load	10,000,000
G-Force Activation G-Level/Range	N/A
<b>Dimensions:</b>	
Weight per 100pcs. Lbs / Kgs:	4.59 / 2.08
Body Length (less leads). Inches / Millimeters:	1.68 / 47.4
Maximum Diameter. Inches / Millimeters:	0.50/ 12.7
<b>Materials:</b>	
Lead Wire Type	N/A
Lead wire length/skive/termination	N/A
Finish:	Rust Inhibited

**American Electronic Components Inc.,**  
**1101 Lafayette Street, Elkhart, Indiana. USA**  
**Tel: +1-574-295-6330 Fax: +1-574-293-8013**  
**Email: [sales@aecensors.com](mailto:sales@aecensors.com)**  
**<http://www.aecensors.com>**

© American Electronic Components Inc 2006

Specifications are subject to change without notice. E&OE.

3825 050606