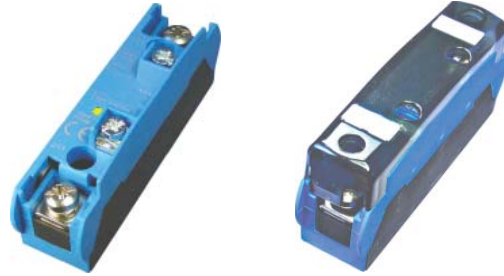


Part Number	Description
DH24D25	25A, 3-32 Vdc, 12-280 Vac
DH48D35	35A, 3.5-32 Vdc, 24-600 Vac

NOTES

- 1) Line Voltage (nominal): 24 = 240 Vac; 48 = 480 Vac
- 2) Switch Type: D = Zero-cross turn-on

For RoHS Compliant Contact Factory



ELECTRICAL SPECIFICATIONS

(+25°C ambient temperature unless otherwise specified)

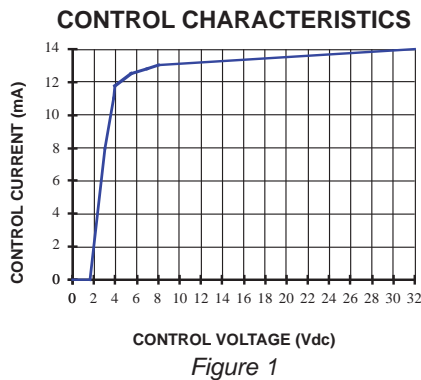
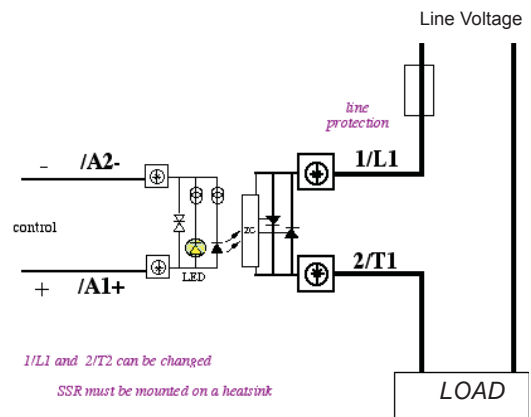
INPUT (CONTROL) SPECIFICATIONS

	Min	Max	Units
Input Voltage Range			
DH24	3	32	V
DH48	3.5	32	V
Input Current Range		14	mA
Must Turn-Off Voltage	2.0		Vdc
Reverse Voltage Protection (D)		32	V
Clamping Voltage (D)		36	V
Input Immunity (EN61000-4-4)	2		kV
Input Immunity (EN61000-4-5)	2		kV

FEATURES/BENEFITS

- New High Efficiency Back-to-Back Thyristors for long lifetime expectancy
- Zero-cross models designed for resistive loads
- Input protection and control LED standard
- IP20 protective plastic cover
- Designed in conformity with EN60947-4-3 (IEC947-4-3) and EN60950/VDE0805 (Reinforced Insulation)

TYPICAL APPLICATION



ELECTRICAL SPECIFICATIONS
(+25°C ambient temperature unless otherwise specified)

OUTPUT (LOAD) SPECIFICATIONS

	Min	Max	Units
Operating Range			
DH24	12	280	Vac
DH48	12	600	Vac
Peak Voltage (VDR Clamping)			
DH24		600	V _{peak}
DH48		1200	V _{peak}
Load Current Range (Resistive)			
25 output current	.005	25	Arms
35 output current	.005	35	Arms
Maximum Surge Current Rating (Non-Repetitive)			
25 output current		250	A
35 output current		420	A
On-State Voltage Drop		0.85	V
Output Power Dissipation (Max)			
25 output current	$0.9 \times 0.85 \times I + 0.016 \times I^2$		W
35 output current	$0.9 \times 0.85 \times I + 0.0095 \times I^2$		W
Zero-Cross Window (Typical)		±20	Vac
Off-State Leakage Current		1	mA
Turn-On Time (60 Hz)		8.3	ms
Turn-Off Time (60 Hz)		8.3	ms

ELECTRICAL SPECIFICATIONS (continued)
(+25°C ambient temperature unless otherwise specified)

OUTPUT (LOAD) SPECIFICATIONS

	Min	Max	Units
Off-State dv/dt		500	V/μs
Maximum di/dt (Non-Repetitive)		50	A/μs
Operating Frequency	0.1	800	Hz
I ² t for fuse matching (<10ms)			
25 output current		340	A ² s
35 output current		882	A ² s
Junction-Case Thermal Resistance			
25 output current		1.8	°C/W
35 output current		0.9	°C/W
Conducted Immunity Level			
IEC/EN61000-4-4 (bursts)			
All Relays		2kV criterion A	
IEC/EN61000-4-5 (surge)			
All Relays		2kV criterion B	
		2kV criterion A on -16 models	

GENERAL SPECIFICATIONS
(+25°C ambient temperature unless otherwise specified)

ENVIRONMENTAL SPECIFICATIONS

	Min	Max	Units
Operating Temperature	-40	80	°C
Storage Temperature	-55	125	°C
Ambient Humidity		40 to 85	%
Input-Output Isolation	4000		Vrms

ENVIRONMENTAL SPECIFICATIONS (continued)

	Min	Max	Units
Output-Case Isolation	4000		Vrms
Insulation Resistance @500Vdc	1000		MΩ
Rated Impulse Voltage		4000	V
Vibration (10–55 Hz according to CE168)	1.5		mm
Shock (according to CD168)		30	g
Housing Material	PA6 UL94V0		
Baseplate	Aluminum		

MECHANICAL SPECIFICATION

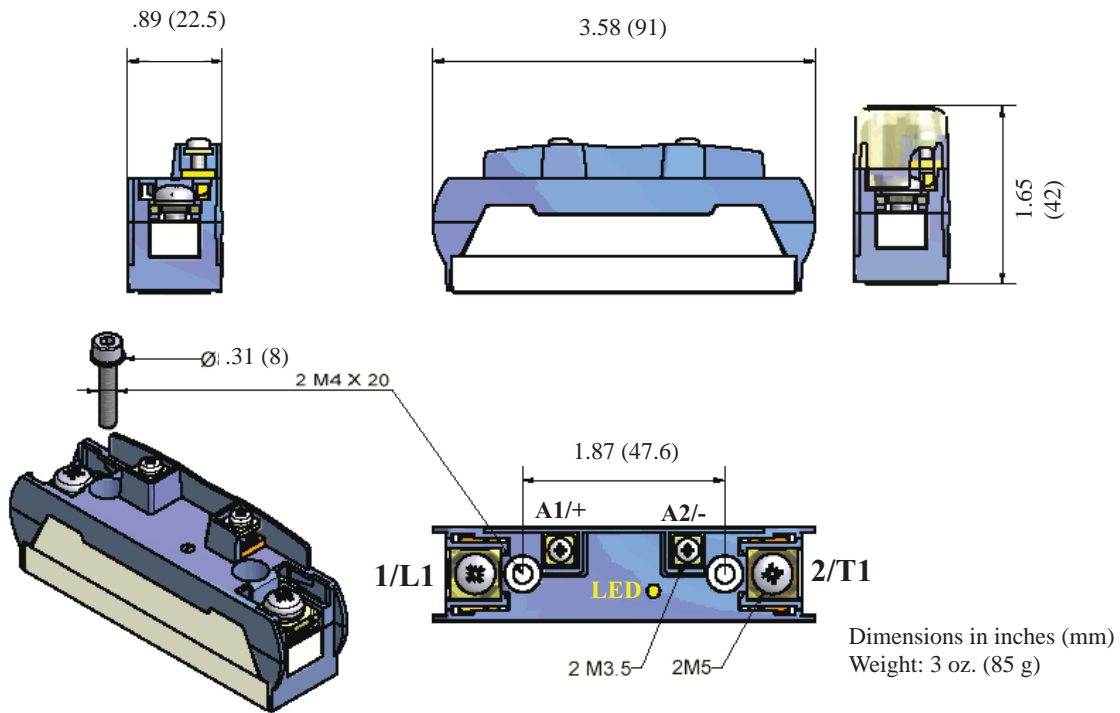


Figure 3

SURGE CURRENT

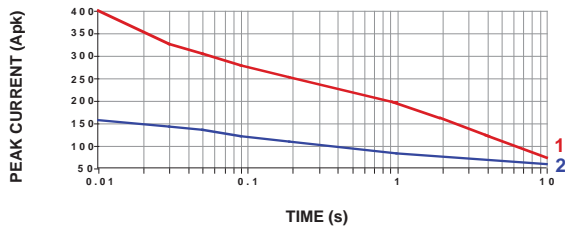


Figure 4c — 35A output current

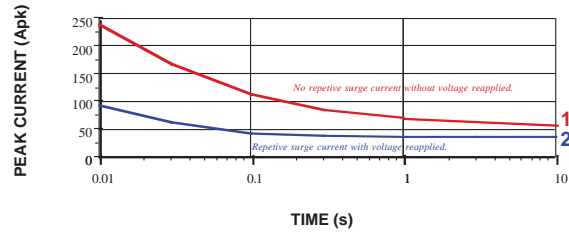


Figure 4b — 25A output current

THERMAL CURVES

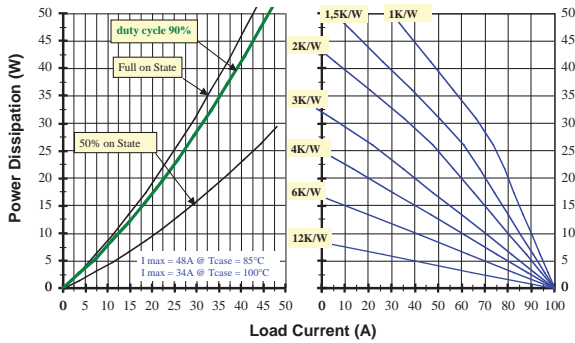


Figure 5c — 35A output power

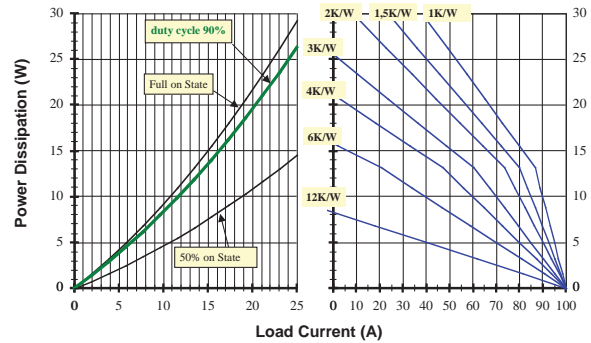

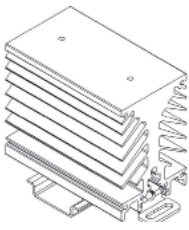

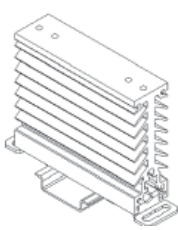


Figure 5b — 25A output power

12°C/W corresponds to a relay without heat sink
6°C/W corresponds to a relay mounted on a DIN-rail adaptor (Teledyne P/N DL12)

HEAT MANAGEMENT

Number of Wires

FW151		FW131	
2-2.5 °C/W Heatsink		3 °C/W Heatsink	
			

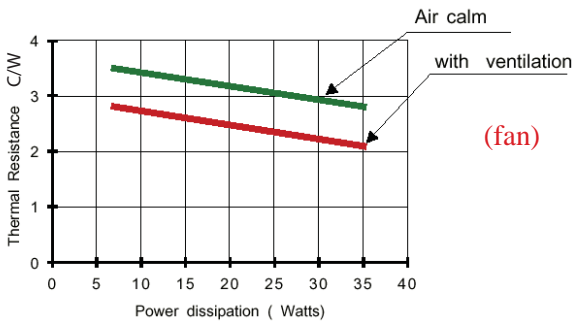


Figure 6a

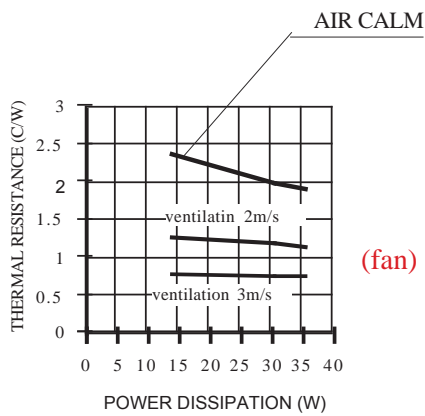


Figure 6b

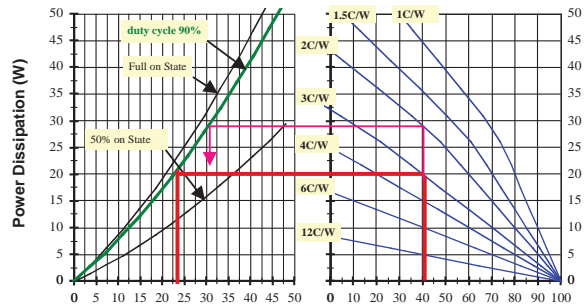


Figure 7a - Load Current (25A Model)

- Example 1: 18A @ 40 °C, Recommended Heatsink: 3 °C/W
- Example 2: 22A @ 40 °C, Recommended Heatsink: 2 °C/W

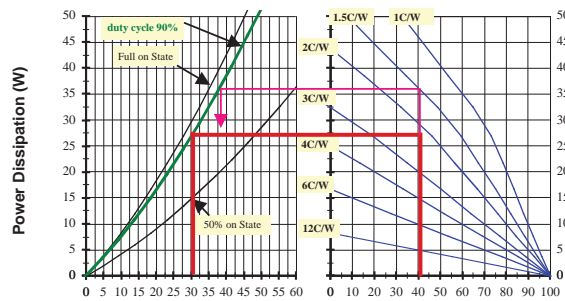

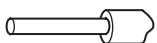

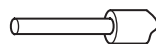

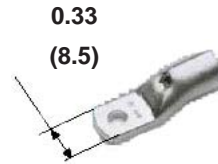


Figure 7b - Load Current (35A Model)


- Example 1: 30A @ 40 °C, Recommended Heatsink: 1.5 °C/W
- Example 2: 38A @ 40 °C, Recommended Heatsink: 2.2 °C/W

CONTROL WIRING

Number of Wires				Screwdriver Type	Recommended Torque
1		2			
Solid (no ferrule)	Fine Stranded (with ferrule)	Solid (no ferrule)	Fine Stranded (with ferrule)		N.m
					
AWG18...AWG14	AWG18...AWG14	AWG18...AWG14	AWG18...AWG14		



POWER WIRING

Number of Wires				Screwdriver Type	Recommended Torque
1		2			
Solid (no ferrule)	Fine Stranded (with ferrule)	Solid (no ferrule)	Fine Stranded (with ferrule)		N.m
