

Data sheet : **Relay-Base model ZUVI / ZUVI**

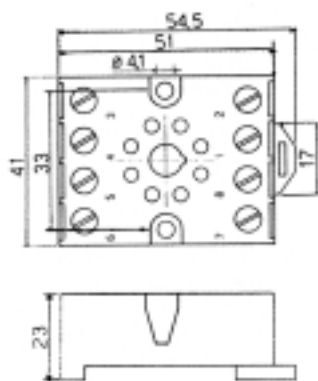
Screw terminal sockets to suit C Series 8/11-pin plug-in relays (models C4-2 & C4-3). Mounting can be arranged either directly on panel or via DIN-46377 Omega rail. Screw terminals are fitted with rising clamps and captive screws. Screwdriver DIN release tab. An optional retaining clip is available.

SPECIFICATION

Rating :	10A 250VAC
Insulating resistance :	$\geq 1000 \text{ M}\Omega$
Dielectric strength :	$\geq 2 \text{ KV}$
Connections material :	nickel-plated brass
Body plastic :	self-extinguishing PPEm
UL94 Rating :	V1
Enclosure classif. (IEC 144)	IP20
Approvals:	UL , CSA, IMQ

Available Types :

ZUVI (8-pin)



ZUVI (11-pin)

