

## Data sheet : Relay-Base Series ZMD

Screw terminal socket designed for use with D Series miniature plug-in relays (model D2N & D4N). Mounting can be arranged either directly on panel or via DIN-46377 Omega rail. Screw terminals with jaw-type IP20 finger-protected rising clamps. Its reduced lateral dimension is ideally suited for high-density DIN-Rail applications. Suited to accept plug-in indication and/or protection modules. An optional plastic retaining clip, acting also as a relay ejecting device, is available. Clip-on identification tab supplied as standard.

### SPECIFICATION

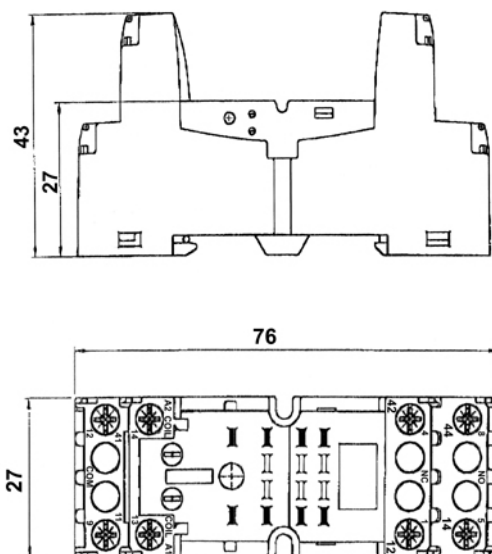
Rating :	12A - 300VAC (2 pole) 6A - 300VAC (4 pole)
Insulating resistance :	$\geq 1000 \text{ M}\Omega$
Dielectric strength :	$\geq 2 \text{ KV AC}$
Dimensions :	76x27x43 mm
Connections material :	nickel plated brass
Body plastic :	glass-filled PA6
UL94 Rating :	V2
Enclosure classif. (IEC 144)	IP20
Approvals:	UL , cUL

#### Available Accessories :

Plastic ejector & retaining clip	Type MPD
LED module	Type ML
LED & diode module	Type MLD
Diode module	Type MD
Varistor module	Type MV
LED & varistor module	Type MLV
Resistor & capacitor module	Type MRC

### Available Types :

**ZMD2 (2 pole)**



**ZMD4 (4 pole)**

