

FEATURES

- 5A-10A contact capacity
- Low profile subminiature design
- 1 Form A contact form

TYPICAL APPLICATIONS

- Household appliance
- Office machine
- Vending machine
- Audio system

CONTACT RATING

|                        |                                 |
|------------------------|---------------------------------|
| Form                   | 1 Form A (H)                    |
| Rated Load             | 5A, 250VAC/30VDC<br>10A, 125VAC |
| Max. Switching Voltage | 250VAC                          |
| Max. Switching Current | 10A                             |
| Max. Switching Power   | 1,250VA                         |

CONTACT DATA

|                            |                           |                      |
|----------------------------|---------------------------|----------------------|
| Material                   | AgCdO                     |                      |
| Initial Contact Resistance | 100 mΩ max. at 0.1A, 6VDC |                      |
| Service Life               | Mechanical                | 10 <sup>7</sup> ops. |
|                            | Electrical                | 10 <sup>5</sup> ops. |

COIL DATA

| Coil Voltage Code | Nominal Voltage (VDC) | Resistance (Ω) ±10% | Power Consumption | Must Operate Voltage max. (VDC) | Must Release Voltage min. (VDC) |
|-------------------|-----------------------|---------------------|-------------------|---------------------------------|---------------------------------|
| 003               | 3                     | 20                  | 0.45W             | 2.25                            | 0.15                            |
| 005               | 5                     | 55                  |                   | 3.75                            | 0.25                            |
| 006               | 6                     | 80                  |                   | 4.5                             | 0.3                             |
| 009               | 9                     | 180                 |                   | 6.75                            | 0.45                            |
| 012               | 12                    | 320                 |                   | 9.0                             | 0.6                             |
| 018               | 18                    | 720                 |                   | 13.5                            | 0.9                             |
| 024               | 24                    | 1280                |                   | 18.0                            | 1.2                             |

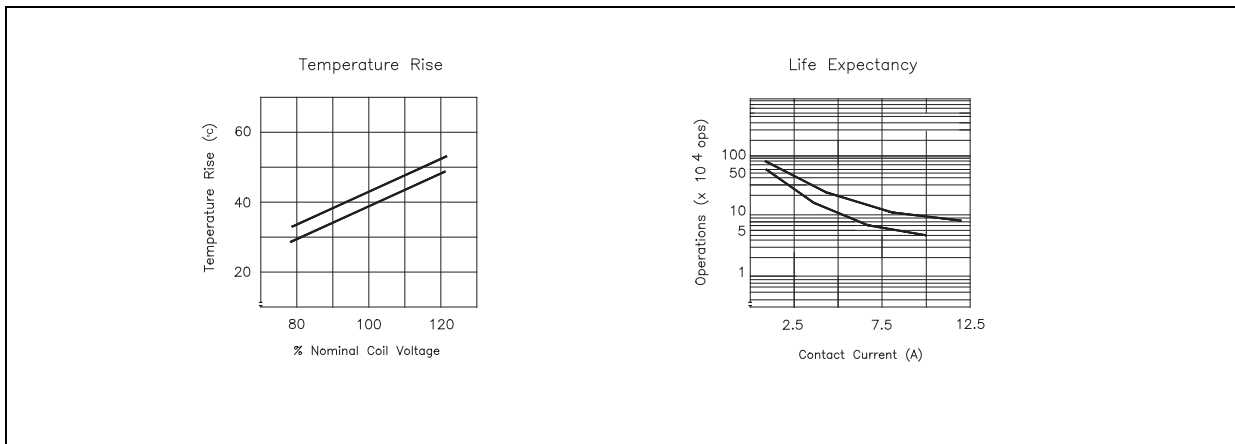
CHARACTERISTICS

|                       |                                                                                        |
|-----------------------|----------------------------------------------------------------------------------------|
| Operate Time          | 8 ms. max.                                                                             |
| Release Time          | 5 ms. max.                                                                             |
| Insulation Resistance | 100 MΩ, at 500 VDC, 50%RH                                                              |
| Dielectric Strength   | 2500 Vrms, 1 min. between coil and contacts<br>1000 Vrms, 1 min. between open contacts |
| Shock Resistance      | 10 g, 11ms. functional; 100g, destructive                                              |
| Vibration Resistance  | DA 1.5mm, 10 - 55 Hz, functional                                                       |
| Ambient Temperature   | -40°C to 70°C                                                                          |
| Weight                | 6 g, approx.                                                                           |

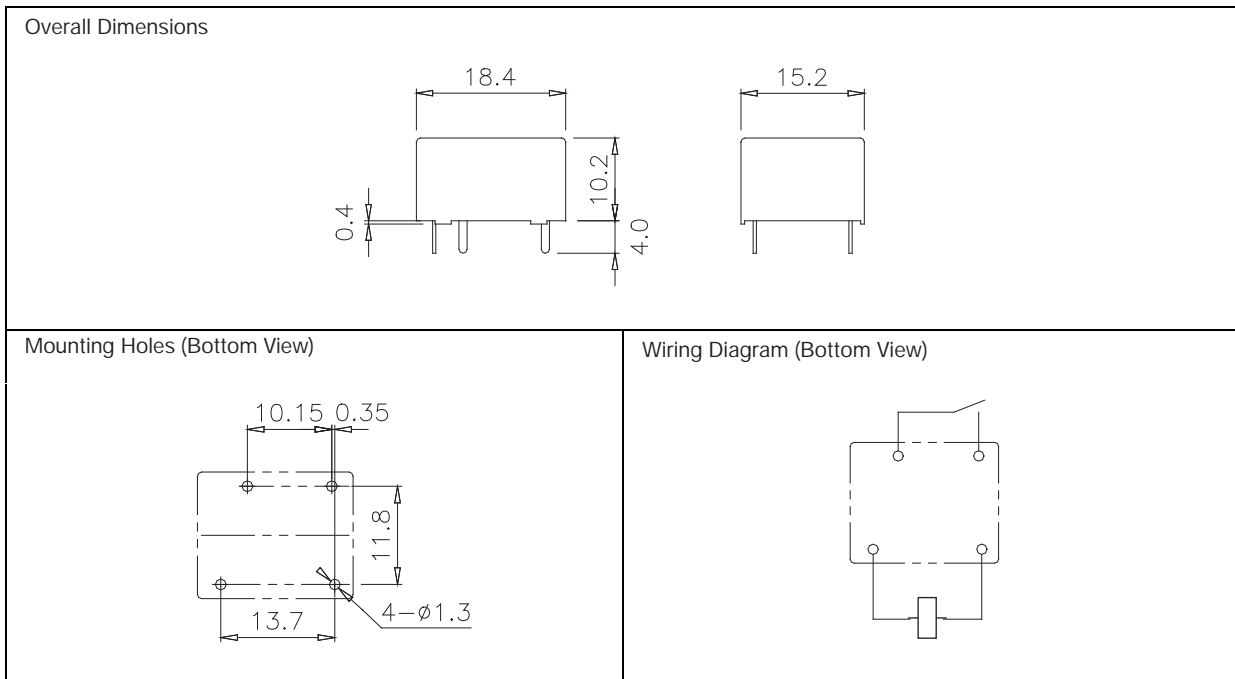
ORDERING DESIGNATION

|                          |          |       |   |   |   |
|--------------------------|----------|-------|---|---|---|
| Example:                 | HG4513 / | 012 - | H | 1 | C |
| Model                    |          |       |   |   |   |
| Coil Voltage Code        |          |       |   |   |   |
| Contact Form             |          |       |   |   |   |
| H: 1 Form A              |          |       |   |   |   |
| Version                  |          |       |   |   |   |
| 1: Sealed; 2: Dust Cover |          |       |   |   |   |
| Contact Material         |          |       |   |   |   |
| C: AgCdO; S: AgSnOInO    |          |       |   |   |   |

## REFERENCE CURVES



## OVERALL DIMENSIONS, MOUNTING HOLES AND WIRING DIAGRAM (mm)



## NOTES

1. All parameters, unless otherwise specified, are measured at ambient temperature 23°C.
2. Custom-made services available with operational quantity. Please let us know your special requirements.
3. Specifications subject to change without prior notice.

Willow Technologies Limited

Shawlands Court  
 Newchapel Road  
 Lingfield, Surrey  
 England RH7 6BL  
 Tel: +44 (0) 1342 835234  
 Fax: +44 (0) 1342 834306  
<http://www.willow.co.uk>  
 email: sales@willow.co.uk