



- Small width - only 5 mm for vertical version
- for PCB mounting
- 6 A - switching current
- High sensitivity, 83 mW at make
- Coil - contact dielectric strength 4000 Vrms
- Coil rated voltage up to 48 V DC
- Sealed with epoxy - recommended for automatic soldering and washing
- Contact - coil distance above 8 mm

Contacts

Contact number & arrangement	1C/O, 1NO
Contact material	AgSnO₂ , AgSnO ₂ /Au
Max. switching voltage	AC/DC 400 V / 150 V ①
Min. switching voltage	10 V AgSnO ₂ , 5 V AgSnO ₂ /Au
Rated load	AC1 5 A / 250 V AC
Min. switching current	100 mA/12 V AgSnO ₂ , 10 mA/5 V AgSnO ₂ /Au
Max. inrush current	AC1: 6 A DC1: 6 A/28 V 0,16 A/220 V
Rated current	6 A
Max. breaking capacity	AC1: 1 500 VA DC1: 150 W
Min. breaking capacity	1,2 W AgSnO ₂ , 0,05 W AgSnO ₂ /Au
Resistance	< 100 mΩ AgSnO ₂ , < 30 mΩ AgSnO ₂ /Au
Max. operating frequency	
• at rated load	AC1 360 cycles/hour
• no load	72 000 cycles/hour

Coil

Rated voltage	DC 5-12-24-48 V
Must release voltage	DC: ≥ 5% U _n
Operating range of supply voltage	0,9 do 1,1 U _n load 6 A / ambient temperature 85 °C 0,7 do 2,2 U _n no load / ambient temperature 20 °C
Rated power consumption	DC 0,17...0,21 W

Insulation

Insulation category	C250
Insulation rated voltage	250 V IEC 664 / VDE 0110
Dielectric strength	
• coil - contact	4 000 V AC
• contact - contact	1 000 V AC
Contact to coil dielectric strength	6 000 V 1,2/50 μs
Contact - coil distance	
• clearance	≥ 6 mm
• creepage	≥ 8 mm

General data

Operating time (typical value)	5 ms
Release time (typical value)	3 ms
Electrical life	
• resistive AC1	10 ⁵ 5 A, 250 V AC
• cos φ = 0,4	2 x 10 ⁵ 2 A, 250 V AC
• L/R=48 ms	2 x 10 ⁵ 1 A, 24 V DC
Mechanical life (cycles)	10 ⁷
Dimensions (L x W x H)	28 x 5 x 15 mm
Weight	6 g
Ambient temperature	
• storing	-40...+105 °C
• operating	-40...+85 °C
Cover protection category	IP 67
Shock resistance	10 g
Vibration resistance	5 g 10...500 Hz
Solder bath temperature	max. 260 °C
Soldering time	max. 5 s
Solvent temperature	max. 80 °C
Immersion Time	max. 30 s

Standard contact material marked with bolt type.

① At switching voltage above 30 V DC, contact Relpol S.A.



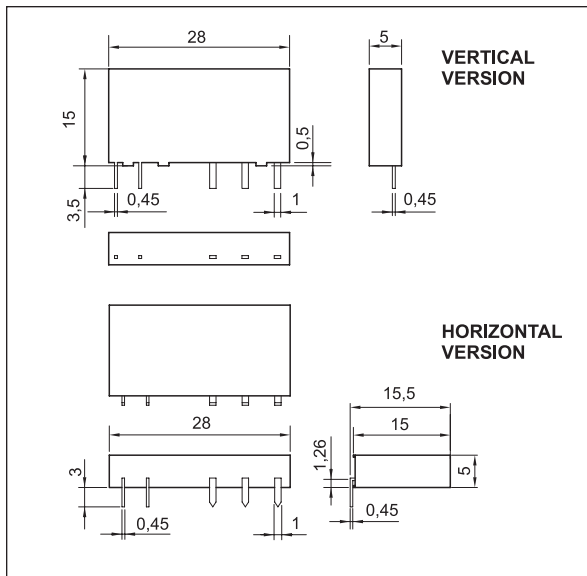
Coil data - vertical version

Table 1

Relay code		Rated voltage V DC	Max. continuous voltage V DC	Coil resistance ±10% Ω	Coil operating range V DC
contact: AgSnO ₂	contact: AgSnO ₂ /Au				
AZ699-1C-5DE	AZ699-1C-5DEA	5	11,2	147	3,5
AZ699-1C-12DE	AZ699-1C-12DEA	12	26,8	848	8,4
AZ699-1C-24DE	AZ699-1C-24DEA	24	53,7	3 390	16,8
AZ699-1C-48DE	AZ699-1C-48DEA	48	100,0	10 600 (±15%)	33,6

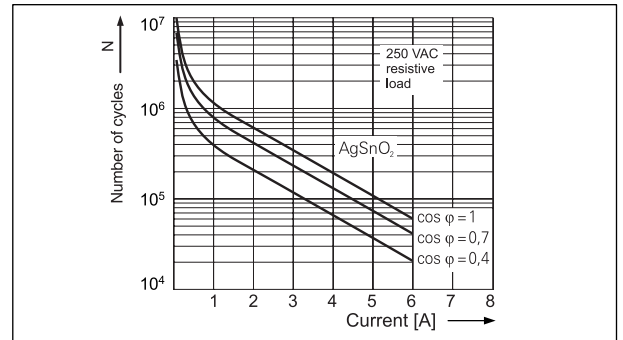
"1C" in coding means one changeover contact. When ordering normally open version, please change 1C for 1A. When ordering horizontal version, please add "H" at the end.

Dimensions

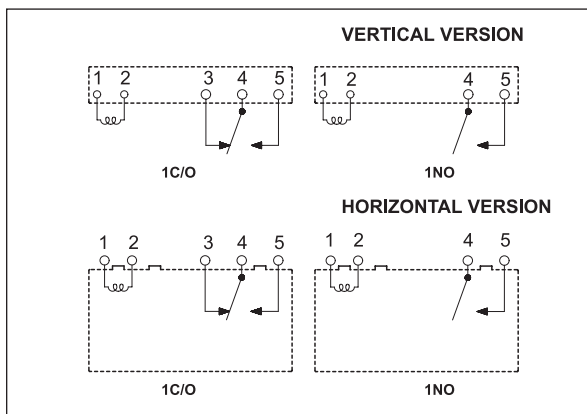


Electrical life

Fig. 1

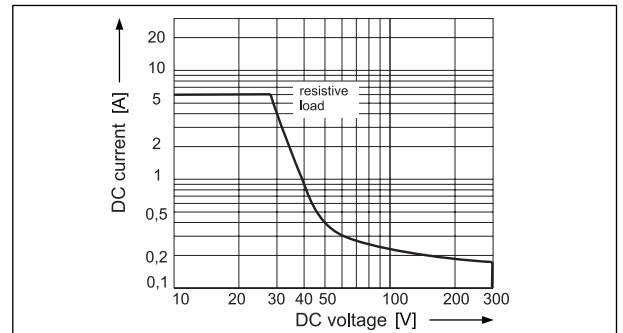


Connections diagrams (pin side view)



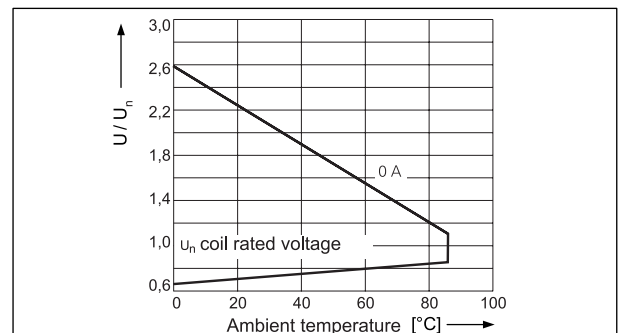
Max. DC resistive load breaking capacity

Fig. 2

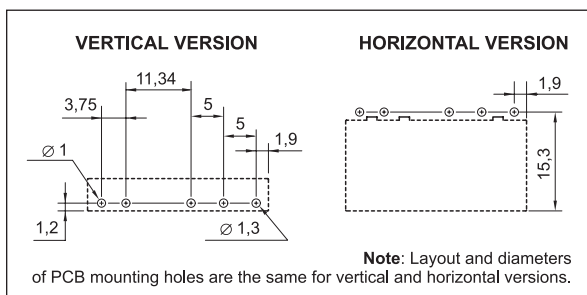


Coil operating range - DC

Fig. 3



Mounting holes layout



Ordering codes

See Coil data - Table 1

Mounting

Relays AZ699 are mounted only on PCBs.

