



- Relays with triac output 1,2 A / 400 V AC
- 35 mm DIN rail mounting, EN 50022; screw terminals 0,2...4 mm²
- Interconnection strips type **ZG20** available

Triac - output

Max. switching voltage	AC	400 V
Min. switching voltage	AC	20 V
Rated load	AC1	1,2 A / 400 V AC
Min. switching current		8 mA
Non-rep. surge current		30 A t=20 ms
Rated current		1,2 A
I ² t for fusing		5,1 A ² s t=1-10 ms
dI/dt		50 A/μs
dV/dt		40 V/μs
R _{th} junction to ambient		70 °C/W

Input specifications

Rated voltage	DC	5...32 V
	AC/DC	24-230 V
Turn-off voltage		AC: ≥ 0,2 U _n DC: ≥ 0,1 U _n
Rated power consumption		0,3 W 5...32 V DC at 24 V
		0,3 W/VA 24 V AC/DC
		1,6 W/VA 230 V AC/DC

Insulation

Insulation category	C250
Insulation rated voltage	600 V AC
Rated insulation voltage I/O	4 000 V AC

General data

Operating time	10 ms	max. - zero turn-on
Release time	10 ms	max.
Dimensions (L x W x H)	80 x 6,2 x 93,8 mm	
Weight	40 g	
Ambient temperature:		
• storing	-40...+70 °C	
• operating	-40...+55 °C	
Protection category	IP 20	

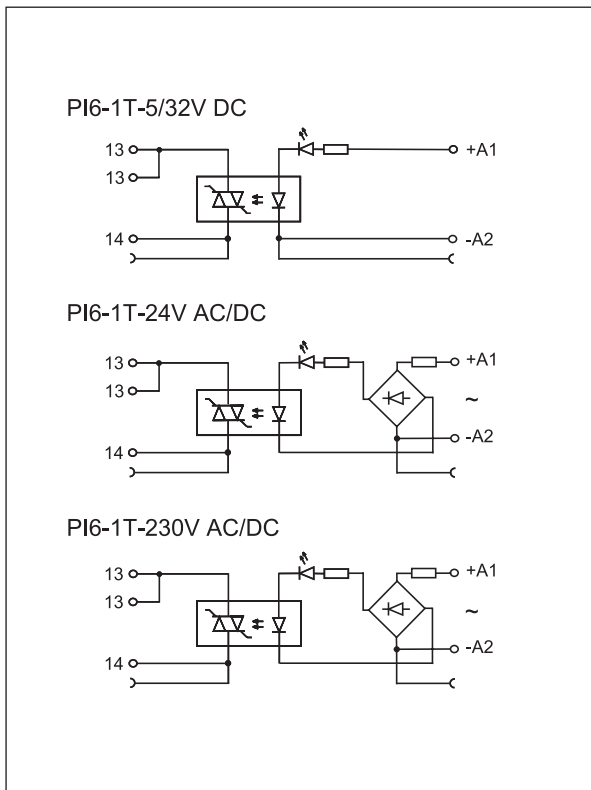


Input data

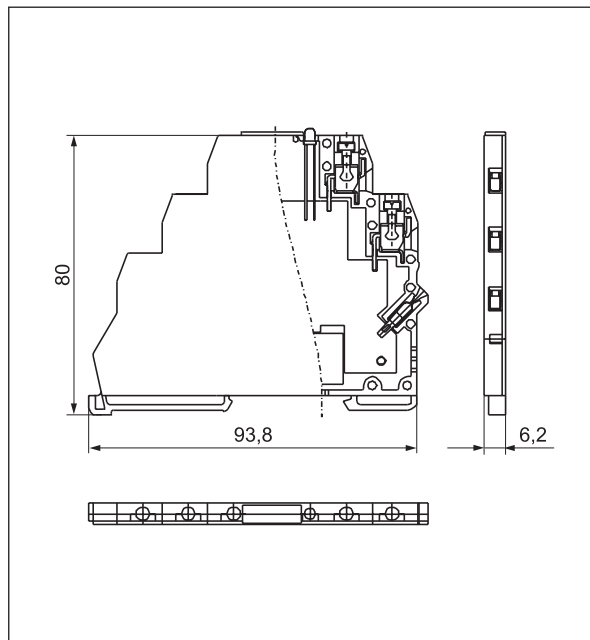
Table 2

Relay code	Nominal input voltage U_n
PI6-1T-5/32V DC	5...32 V DC
PI6-1T-24V AC/DC	24 V AC/DC
PI6-1T-230V AC/DC	230 V AC/DC

Connection diagrams



Dimensions



Mounting

Relays **PI6-1T** are designed for mounting on 35 mm DIN rail mount, EN 50022.

interconnection strip type **ZG20** for bridging of common outputs and inputs available colours of strips: red **ZG20-1**, black **ZG20-2**, blue **ZG20-3**.

Ordering codes

See **Input data** - Table 2

