

MAIN FEATURES

- Double HG4520 relay in one housing
- 30A contact capacity
- Ultra-miniaturized structure, extremely light weight

TYPICAL APPLICATIONS

- Power antenna
- Power window
- Interval wiper control
- Sunroof control
- Steering wheel power light
- Central door lock
- Seat adjustment
- Immobilizer

CONTACT DATA

Form	2 Form A (2H), 2 Form C (2Z)	
Max. Switching Current	Make	100A
	Break	30A
Material	AgNi0.15; AgSnOInO	
Initial Contact Resistance	100 mΩ max. at 0.1A, 6VDC	
Max. Continuous Current	NC25A / NO30A	
Max. Switching Voltage	16VDC	
Service Life	Mechanical	10 <sup>7</sup> ops.
	Electrical	10 <sup>5</sup> ops.

COIL DATA

Type	Coil Voltage Code	Nominal Voltage (VDC)	Resistance (Ω) ±10% Power Consumption		Must Operate Voltage max. (VDC)	Allowable Voltage (VDC)	Must Release Voltage Min. (VDC)
Standard	006	6	64	0.55W	3.5	12	0.75
	010	10	181		5.7	20	1.25
	012	12	254		6.9	24	1.5
D	012	12	181	0.8W	6.9	20	1.5

CHARACTERISTICS

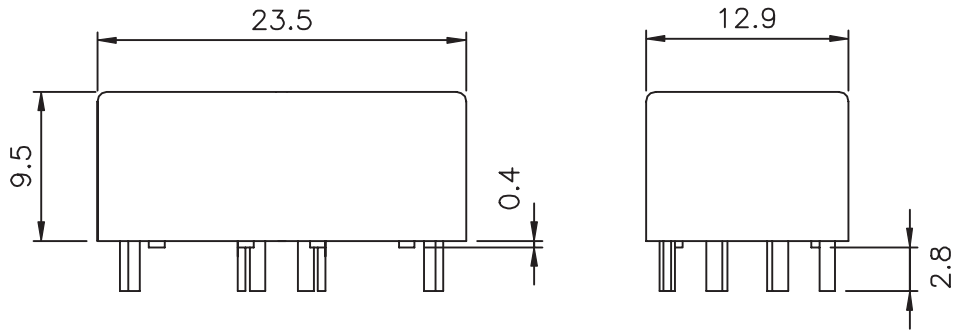
Operate Time	3 ms. typical
Release Time	1.5 ms. typical
Insulation Resistance	100 MΩ, at 500 VDC, 50%RH
Dielectric Strength	500 Vrms, 1 min.
Shock Resistance	30 g, 6ms.
Vibration Resistance	6 g, 10 - 500 Hz
Drop Resistance	1 M height drop on concrete
Power Consumption	Standard: 0.55W; D Type: 0.8W, approx.
Ambient Temperature	-40°C to 105°C operating; -40°C to 155°C storage
Weight	8 g, approx.

ORDERING DESIGNATION

Example:	HG4527 /	012 -	2 Z	1	S	D	- P
Model							
Coil Voltage Code							
Contact Form 2H: 2 Form A; 2Z: 2 Form C							
Version 1: Sealed							
Contact Material A: AgNi0.15; S: AgSnOInO							
Coil Sensitivity Nil: Standard 0.55W D: 0.8W Type							
P: RoHS Compliant							

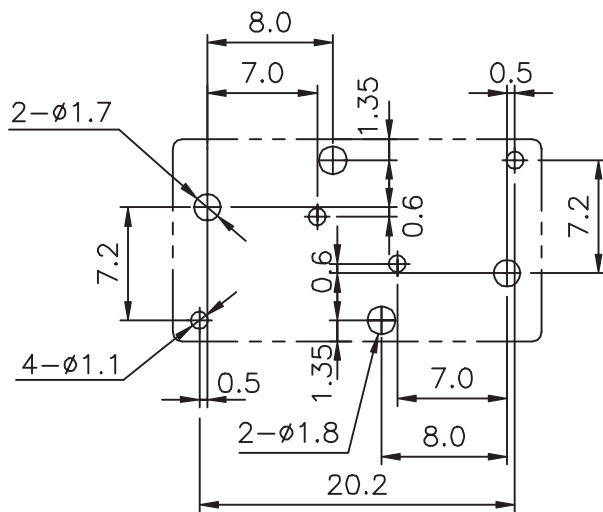
## OVERALL DIMENSIONS, MOUNTING HOLES AND WIRING DIAGRAMS (mm)

### Overall Dimensions

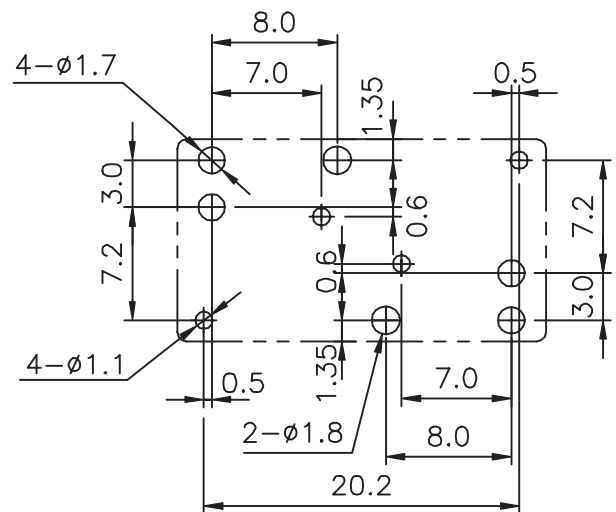


### Mounting Holes (Bottom View)

#### 2 Form A (2H)

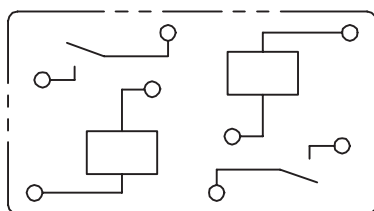


#### 2 Form C (2Z)

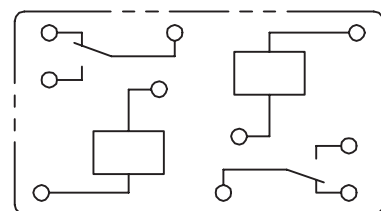


### Wiring Diagrams (Bottom View)

#### 2 Form A (2H)



#### 2 Form C (2Z)



### NOTES

1. All parameters, unless otherwise specified, are measured at ambient temperature 23°C.
2. Maximum make current refers to inrush current of lamp load.
3. At ambient temperature of 85°C, maximum allowable voltage should be reduced to 72%.
4. Electrical life obtained at resistive load at 20A, 13.5 VDC on NO contacts with operating frequency of 6 ops/min.
5. To exert optimum electrical life, please remove the knock-off nib of sealed version after cleaning process.

Willow Technologies Limited  
 Shawlands Court  
 Newchapel Road  
 Lingfield  
 Surrey RH7 6BL  
 England  
 Tel: +44 (0) 1342-835234  
 Fax: +44 (0) 1342-834306  
 email: sales@willow.co.uk