

FEATURES

- Ultra-miniaturized design, extremely light weight
- 30A maximum continuous current

TYPICAL AUTOMOTIVE APPLICATIONS

- Motor control
- Lamp control
- Intermittent wiper
- Rear window and seat heating

CONTACT DATA

Form		1 Form A (H), 1 Form C (Z)
Max. Switching Current	Make	100A
	Break	30A
Material		AgSnOInO
Initial Contact Resistance		100 mΩ max. at 0.1A, 6VDC
Max. Switching Voltage		16VDC
Max. Continuous Current		NC25A / NO30A
Min. Load		0.5A, 12VDC
Service Life	Mechanical	10 ⁷ ops.
	Electrical	10 ⁵ ops.

COIL DATA

Coil Voltage Code	Nominal Voltage (VDC)	Resistance (Ω) ±10%		Must Operate Voltage max. (VDC)	Allowable Voltage (VDC)	Must Release Voltage min. (VDC)
		Power Consumption				
006	6	64	0.55W	3.5	13.6	0.75
010	10	181		5.7	22.7	1.25
012	12	254		6.9	27.2	1.5
024	24	1000		14.0	54.4	3.0

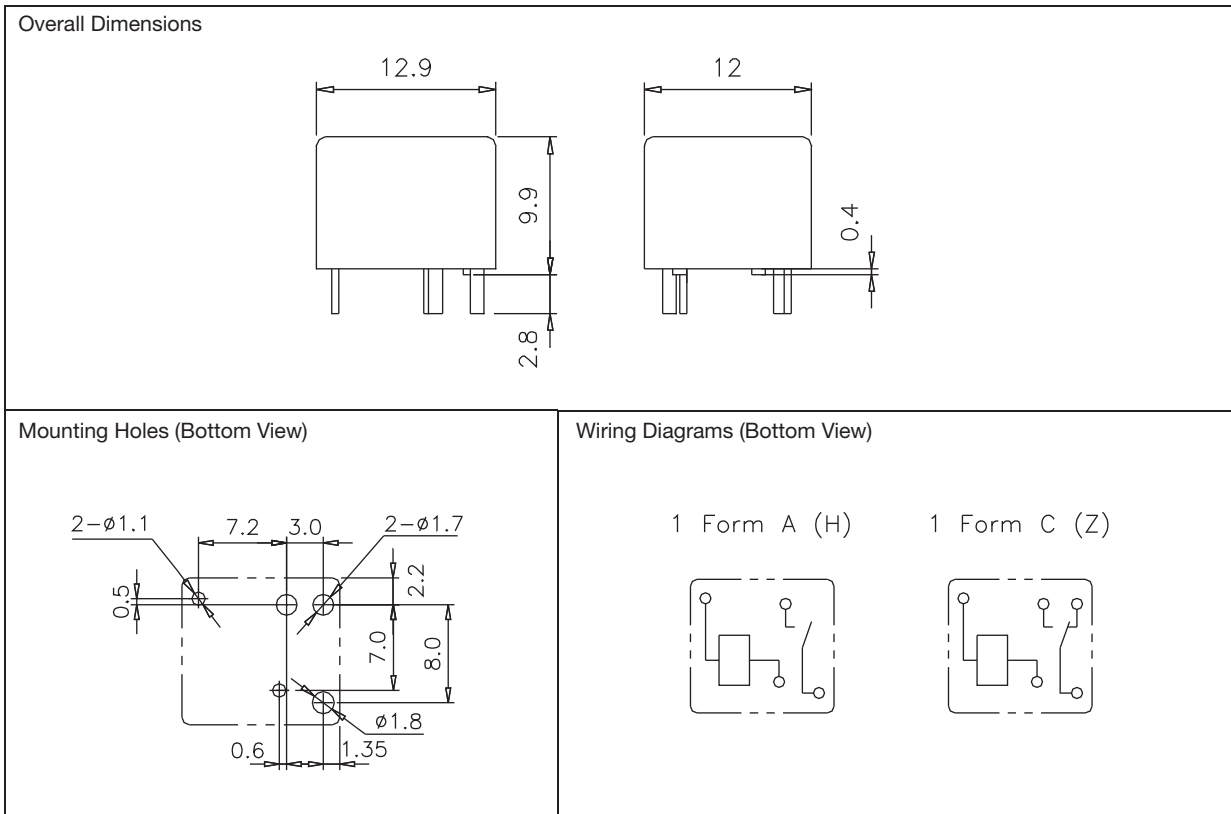
CHARACTERISTICS

Operate Time	3 ms. typical
Release Time	1.5 ms. typical
Insulation Resistance	100 MΩ, at 500 VDC, 50%RH
Dielectric Strength	500 Vrms, 1 min.
Shock Resistance	30 g, 6ms.
Vibration Resistance	6 g, 10 - 500 Hz
Drop Resistance	1 M height drop on concrete
Power Consumption	0.55W, approx.
Ambient Temperature	-40°C to 105°C operating; -40°C to 155°C storage
Weight	4 g, approx.

ORDERING DESIGNATION

Example: HG4520 / 012 - H 1 S					
Model					
Coil Voltage Code					
Contact Form					
H: 1 Form A; Z: 1 Form C					
Version					
1: Sealed					
Contact Material					
A: AgNi0.15; S: AgSnOInO					

OVERALL DIMENSIONS, MOUNTING HOLES AND WIRING DIAGRAMS (mm)



NOTES

1. All parameters, unless otherwise specified, are measured at ambient temperature 23°C.
2. Maximum make current refers to inrush current of lamp load.
3. At ambient temperature of 85°C, maximum allowable voltage should be reduced to 72%.
4. Electrical life obtained at resistive load at 20A, 13.5 VDC on NO contacts with operating frequency of 6 ops/min.
5. For optimum electrical life, please remove the tape tab/knock-off nib of sealed version after cleaning process.
6. Custom-made services available with operational quantity. Please let us know your special requirements.
7. Specifications subject to change without prior notice.

Plant: Willow Technologies Limited
 Shawlands Court
 Newchapel Road
 Lingfield
 Surrey RH7 6BL
 England
 Tel: +44 (0) 1342-835234
 Fax: +44 (0) 1342-834306
 email: sales@willow.co.uk