

FEATURES

- 16 A contact capacity
- 1 Form A to 2 Form C contact forms available
- 5 KV dielectric strength between coil and contacts
- 10 mm creepage distance between coil and contacts
- Low profile design, 15.7 mm in height
- Sealed and dust cover version available
- UL, CUR, VDE approved

TYPICAL APPLICATIONS

- Home appliances
- Office machine
- Vending machine
- Air conditioner, refrigerator

CONTACT RATING

Form	1 Form A (H) 1 Form B (D) 1 Form C (Z)	2 Form A (2H) 2 Form B (2D) 2 Form C (2Z)
Rated Load	12A/16A	8A
Max. Switching Current	12A/16A	8A
Max. Switching Voltage	440VAC/125VDC	
Max. Switching Power	3000VA/4000VA	2000VA

CONTACT DATA

Material	AgNi10, AgSnO	
Initial Contact Resistance	50 mΩ max. at 1A, 6VDC	
Service Life	Mechanical	10 <sup>7</sup> ops.
	Electrical	10 <sup>5</sup> ops.

COIL DATA

Coil Voltage Code	Nominal Voltage (VDC)	Resistance (Ω) ±10%		Must Operate Voltage max. (VDC)	Must Release Voltage min. (VDC)
		Power Consumption			
005	5	62	0.4W	3.5	0.5
006	6	90		4.2	0.6
009	9	200		6.3	0.9
012	12	360		8.4	1.2
024	24	1440		16.8	2.4
048	48	5760*		33.6	4.8
060	60	7500*		42.0	6.0
110	110	25200*		77.0	11.0

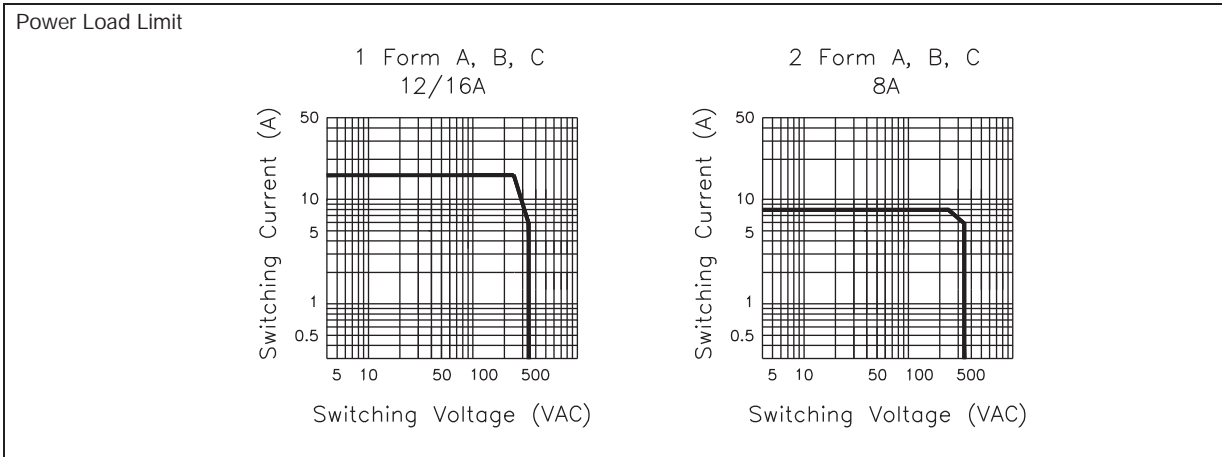
CHARACTERISTICS

Operate Time	7 ms.
Release Time	3 ms.
Insulation Resistance	1000 MΩ, at 500 VDC, 50%RH
Dielectric Strength	5000 Vrms, 1 min. between coil and contacts 1000 Vrms, 1 min. between open contacts 2500 Vrms, 1 min. between poles
Shock Resistance	10 g, 11ms. functional; 100 g, destructive
Vibration Resistance	5 g / 10 g, 30 - 150 Hz
Ambient Temperature	-40°C to 70°C
Weight	13.5 g, approx.

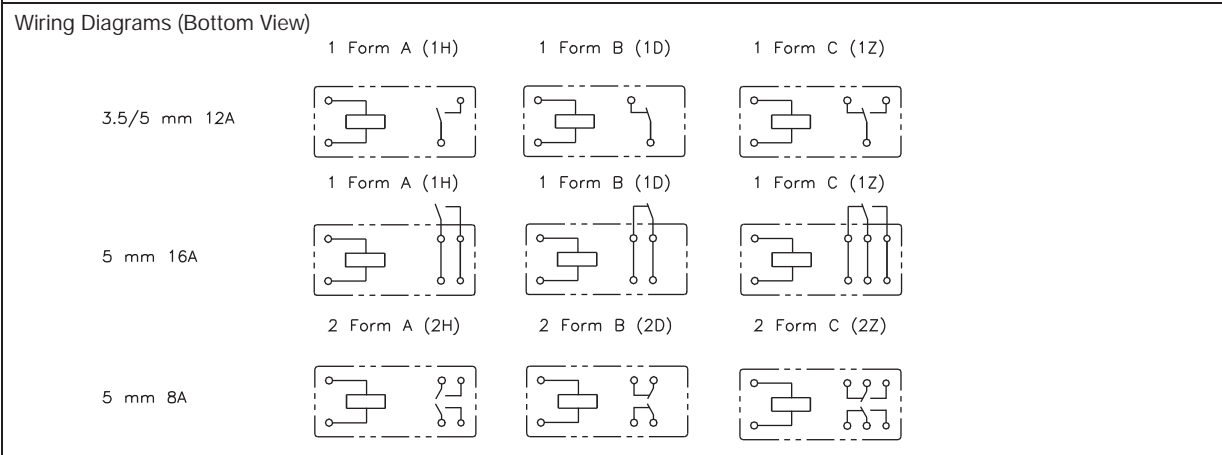
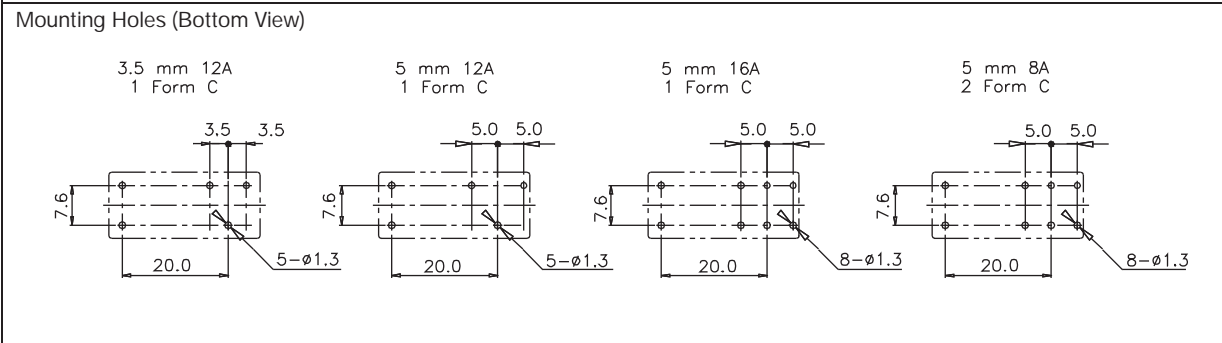
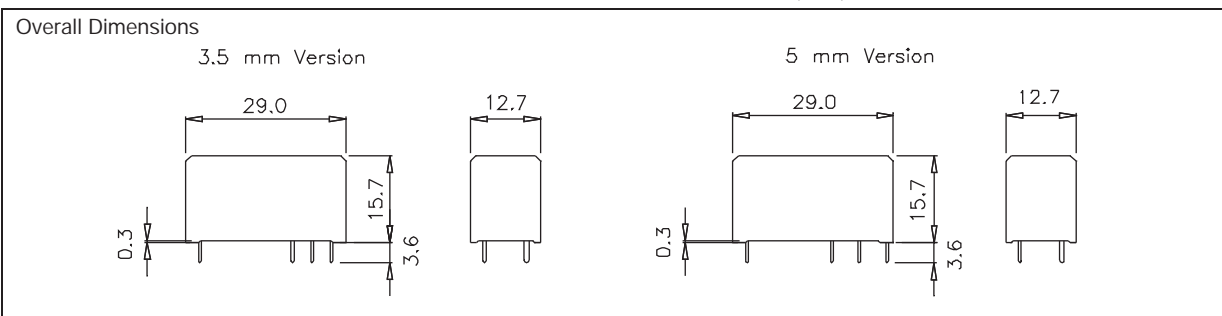
ORDERING DESIGNATION

Example:	HG4509 /	012 -	1Z	1	S	1	- P
Model							
Coil Voltage Code							
Contact Form							
1H: 1 Form A; 2H: 2 Form A							
1D: 1 Form B; 2D: 2 Form B							
1Z: 1 Form C; 2Z: 2 Form C							
Version							
1: Sealed; 2: Dust Cover							
Contact Material							
A: AgNi10; S: AgSnO; GA: Au plated AgNi10; GS: Au plated AgSnO							
Structure Version							
1: 1 Pole, 12A, 3.5mm; 2: 1 Pole, 12A, 5mm; 3: 1 Pole, 16A, 5mm; 4: 2 Pole, 8A, 5mm							
Thermal Class							
Nil: UL Class B; F: UL Class F							
P: RoHS Compliant (Lead-free)							

## REFERENCE CURVES



## OVERALL DIMENSIONS, MOUNTING HOLES AND WIRING DIAGRAMS (mm)



### NOTES

1. All parameters, unless otherwise specified, are measured at ambient temperature 23°C.
2. Coil resistance with \* mark is ±15%.
3. Custom-made services available with operational quantity. Please let us know your special requirements.
4. Specifications subject to change without prior notice.

Willow Technologies Ltd  
 Shawlands Court  
 Newchapel Road  
 Lingfield  
 Surrey RH7 6BL  
 England

Tel: +44 (0) 1342 835234  
 Fax: +44 (0) 1342 834306  
 Email: sales@willow.co.uk  
 http: www.willow.co.uk