

FEATURES

- Energy-conscious design, one pulse will be enough to complete switching
- Compact structure
- Single, dual coil version available
- Contact status indicator version available

TYPICAL APPLICATIONS

- Prepaid card electric meter
- Energy Conservation

CONTACT DATA

| | | |
|----------------------------|----------------------------|----------------------|
| Form | 1 Form B (D), 1 Form A (H) | |
| Material | AgCdO | |
| Rated Load | 60A, 220VAC | |
| Initial Contact Resistance | 5 mΩ, max. at 0.1A, 6VDC | |
| Service Life | Mechanical | 10 ⁵ ops. |
| | Electrical | 10 ⁴ ops. |

COIL DATA

| Type | Coil Voltage Code | Nominal Voltage (VDC) | Resistance (Ω) ±10% | Operate Voltage (VDC) |
|--------|-------------------|-----------------------|---------------------|-----------------------|
| Single | 005 | 5 | 25 | 2.0 - 3.5 |
| | 009 | 9 | 80 | 3.6 - 6.0 |
| | 012 | 12 | 145 | 4.8 - 8.5 |
| | 024 | 24 | 575 | 9.6 - 16.8 |
| Dual | 005 | 5 | 13 | 2.0 - 3.5 |
| | 009 | 9 | 40 | 3.6 - 6.0 |
| | 012 | 12 | 73 | 4.8 - 8.5 |
| | 024 | 24 | 288 | 9.6 - 16.8 |

CHARACTERISTICS

| | |
|-----------------------|--|
| Operate Time | 8 ms. typical |
| Release Time | 8 ms. typical |
| Insulation Resistance | 1000 MΩ, at 500 VDC, 50%RH |
| Dielectric Strength | 4000 Vrms, 1 min. between coil and contacts 2000 Vrms, 1 min. between open contacts |
| Shock Resistance | 10 g, 11ms. |
| Vibration Resistance | DA 1.5 mm; 20 - 200Hz |
| Power Consumption | Single Coil: 1W, pulse width: 30 ms. Dual Coil: 2W, pulse width: 30 ms. |
| Temperature Rise | Cover: 26°C; Terminals: 36°C, approx. |
| Ambient | -40°C to 70°C |
| Weight | 46 g, approx. |

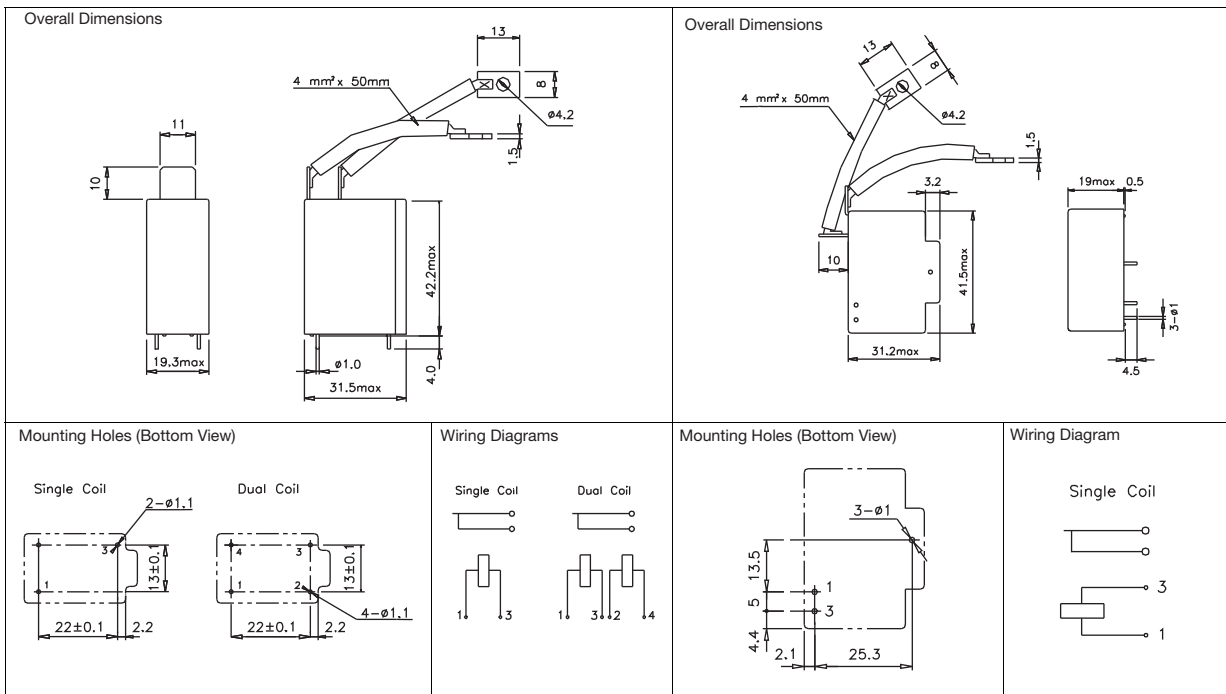
ORDERING DESIGNATION

| | | | | | |
|------------------------------------|----------|-------|---|---|---|
| Example: | HG4502 / | 012 - | S | D | 1 |
| Model | | | | | |
| Coil Voltage Code | | | | | |
| Coil Form | | | | | |
| Nil: Single Coil; S: Dual Coil | | | | | |
| Status Indicator | | | | | |
| Nil: Nil; D: With Indicator | | | | | |
| Mounting Type | | | | | |
| Nil: Vertical; 1: Flat; 2: Lateral | | | | | |

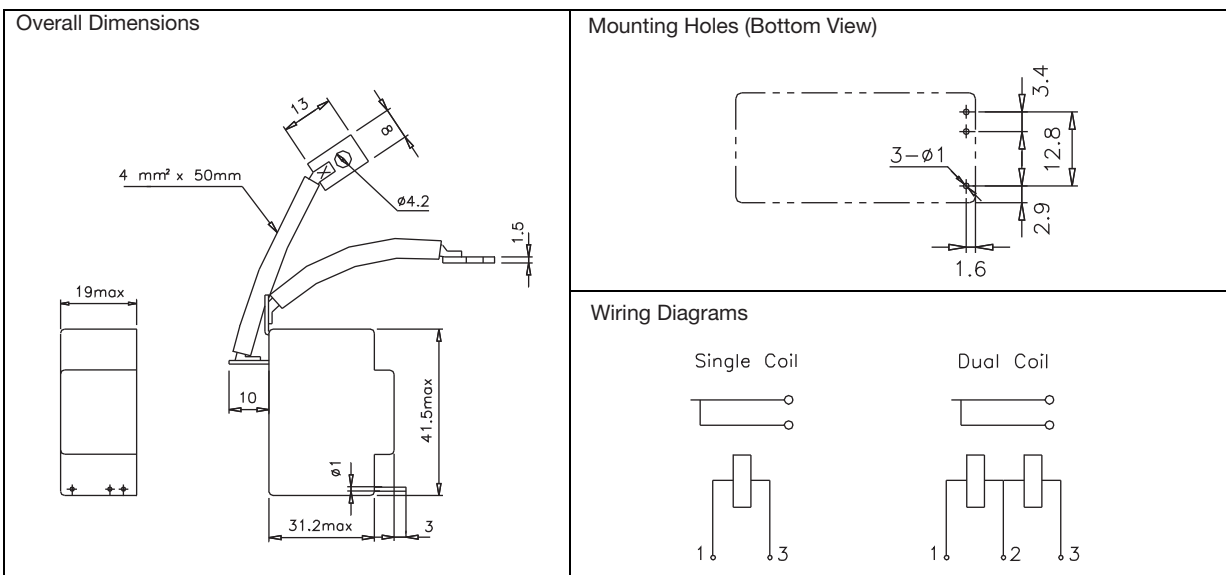
OVERALL DIMENSIONS, MOUNTING HOLES AND WIRING DIAGRAMS (mm)

Vertical Type

Flat Type



Lateral Type



NOTES

1. All parameters, unless otherwise specified, are measured at ambient temperature 23°C.
2. Factory set contacts to close.
3. For single coil type, send positive pulse from coil terminal No.1 to make contacts break, then send negative pulse make contacts make.
4. For dual coil type, send positive pulse from coil terminal No. 1 to make contacts break, then send negative pulse from terminal No. 2 make contacts make (negative pulse from No. 2 to No. 3 for lateral type)
5. Custom-made services available with operational quantity. Please let us know your special requirements.
6. Specifications subject to change without prior notice.

Willow Technologies Limited
 Shawlands Court
 Newchapel Road
 Lingfield
 Surrey RH7 6BL
 England
 Tel: +44 (0) 1342-835234
 Fax: +44 (0) 1342-834306
 email: sales@willow.co.uk