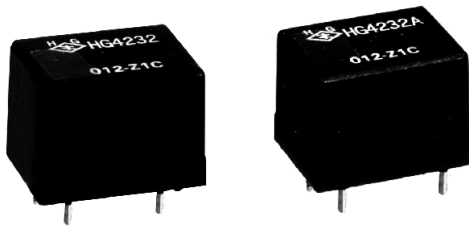


Subminiature PCB Power Relay

Automotive Subminiature PCB Power Relay

HG4232 HG4232A



FEATURES

- Continuous current capacity up to 20A, 14VDC and 12A, 120VAC
- Most popular package and footprint
- Class B insulation for automotive applications
- Various contact materials for choice

TYPICAL APPLICATIONS

- Business machines
- Audio equipment
- Home appliances
- Air conditioners
- Automotive control

CONTACT RATING

Type	HG4232	HG4232A
Resistive	12A, 120VAC 12A, 28VDC 7A, 240VAC	20A, 14VDC

UL/CSA RATING

Type	HG4232
Resistive	10A, 120VAC 10A, 28VDC 5A, 240VAC 35LRA/6FLA, 120VAC(NO)
TV	5A, 120VAC (NO)

CONTACT DATA

Material	AgCdO	
Initial Contact Resistance	100 mΩ max. at 0.1A 6VDC	
Service Life	Mechanical	10 ⁷ ops.
	Electrical	10 ⁵ ops.

COIL DATA

Type	Coil Voltage Code	Nominal Voltage (VDC)	Resistance (Ω) ±10%		Must Operate Voltage max. (VDC)	Must Release Voltage min. (VDC)
			Power Consumption			
HG4232	003	3	25	0.36W	2.1	0.3
	005	5	70		3.5	0.5
	006	6	100		4.2	0.6
	009	9	225		6.3	0.9
	012	12	400		8.4	1.2
	024	24	1600		16.8	2.4
	048	48	6400		33.6	4.8
HG4232A	006	6	45	0.8W	3.2	0.6
	012	12	180		6.3	1.2
	024	24	720		12.6	2.4

CHARACTERISTICS

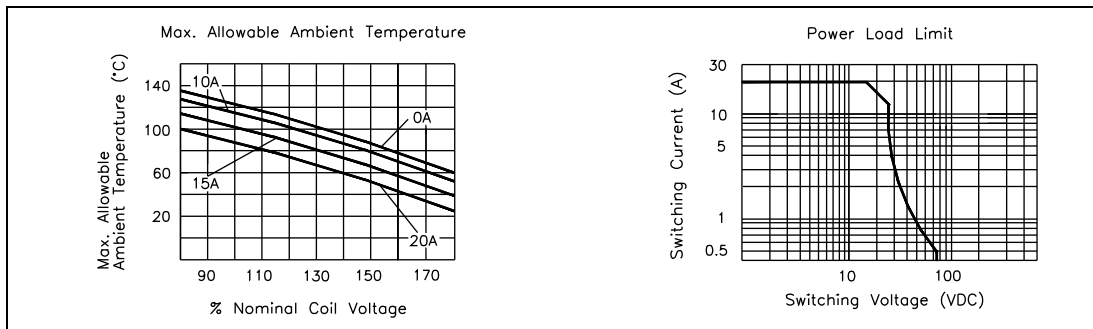
Operate Time	10 ms. max.
Release Time	5 ms. max.
Insulation Resistance	100 MΩ, at 500VDC, 50%RH
Dielectric Strength	1500 Vrms, 1 min. between coil and contacts 1000 Vrms, 1 min. between open contacts
Shock Resistance	10 g, 11ms.
Vibration Resistance	DA 1.5mm, 10 - 55 Hz, functional
Drop Resistance	1 M height drop on concrete in final enclosure
Power Consumption	HG4232: 0.36W; HG4232A: 0.8W
Ambient Temperature	HG4232: -40°C to 85°C operating; -40°C to 130°C storage HG4232A: -40°C to 105°C operating; -40°C to 155°C storage
Weight	10 g, approx.

HG4232 HG4232A

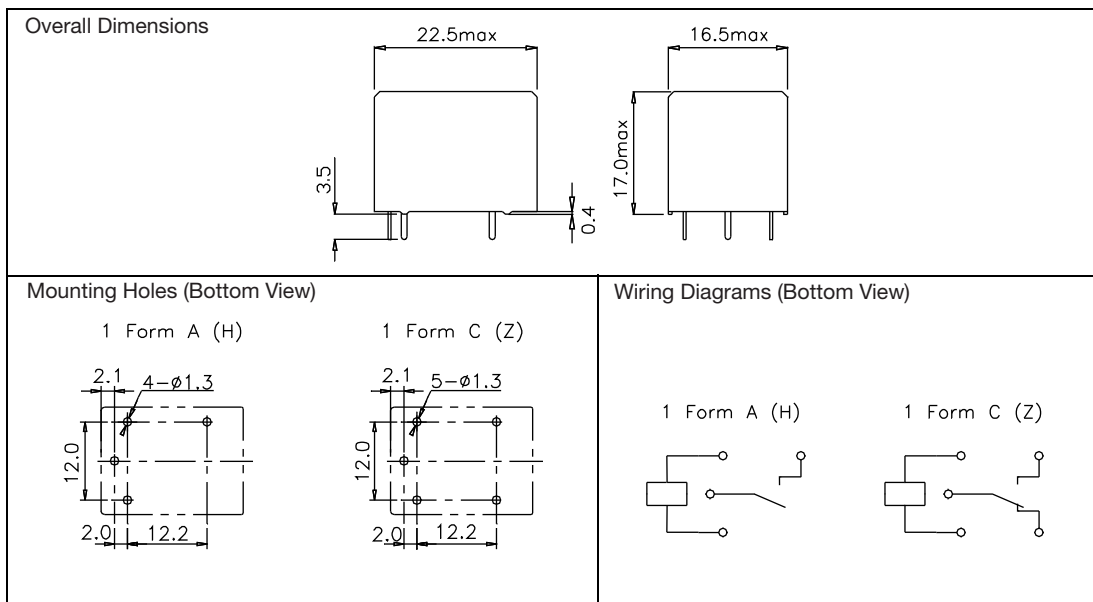
ORDERING DESIGNATION

Example:	HG4232	A /	012 -	Z	1	C
Model						
Type						
Nil: General Purpose						
A: Automotive						
Coil Voltage Code						
Contact Form						
H: 1 Form A; Z: 1 Form C						
Version						
1: Sealed; 2: Flux Free; 3: Dust Cover						
Contact Material						
Nil: AgNi10; A: AgNi0.15; C: AgCdO; S: AgSnOInO						

REFERENCE CURVES



OVERALL DIMENSIONS, MOUNTING HOLES AND WIRING DIAGRAMS (mm)



NOTES

1. All parameters, unless otherwise specified, are measured at ambient temperature 23°C.
2. Custom-made services available with operational quantity. Please let us know your special requirements.
3. Specifications subject to change without prior notice.

Willow Technologies Limited
 Shawlands Court
 Newchapel Road
 Lingfield
 Surrey, RH7 6BL
 England
 Tel: +44 (0) 1342-835234
 Fax: +44 (0) 1342-834306
 email: sales@willow.co.uk