

FEATURES

- Subminiature, low PCB occupation area
- Heavy duty, with choice of contact materials
- Standard and high sensitive type for choice

TYPICAL APPLICATIONS

- Office machines
- Vending machines
- Home appliances
- Audio equipment

CONTACT RATING

Form	1 Form A (H) 1Form C (Z)
Resistive	10A, 120VAC/28VDC (C)
TV	5A, 125VAC (S)

CONTACT DATA

Material	AgCdO, AgSnOInO	
Initial Contact Resistance	100 mΩ max. at 0.1A, 6VDC	
Service Life	Mechanical	10 ⁷ ops.
	Electrical	10 ⁵ ops.

UL/CSA/TUV RATING

Form	1 Form A (H) 1 Form C (Z)	Contact Material Code
Resistive	5A, 240VAC (TUV) 10A, 120VAC (UL/CSA) 10A, 28VDC (UL/CSA/TUV)	C
TV	5A, 125VAC (UL/CSA)	S

COIL DATA

Coil Voltage Code	Nominal Voltage (VDC)	Resistance (Ω) ±10%		Must Operate Voltage max. (VDC)	Must Release Voltage min. (VDC)
		Power Consumption			
		Standard	Sensitive		
003	3	20	45	2.25	0.15
005	5	55	125	3.75	0.25
006	6	80	180	4.50	0.30
009	9	180	400	6.75	0.45
012	12	320	720	9.00	0.60
024	24	1280	2800	18.00	1.20
048	48	5100		36.00	2.40

CHARACTERISTICS

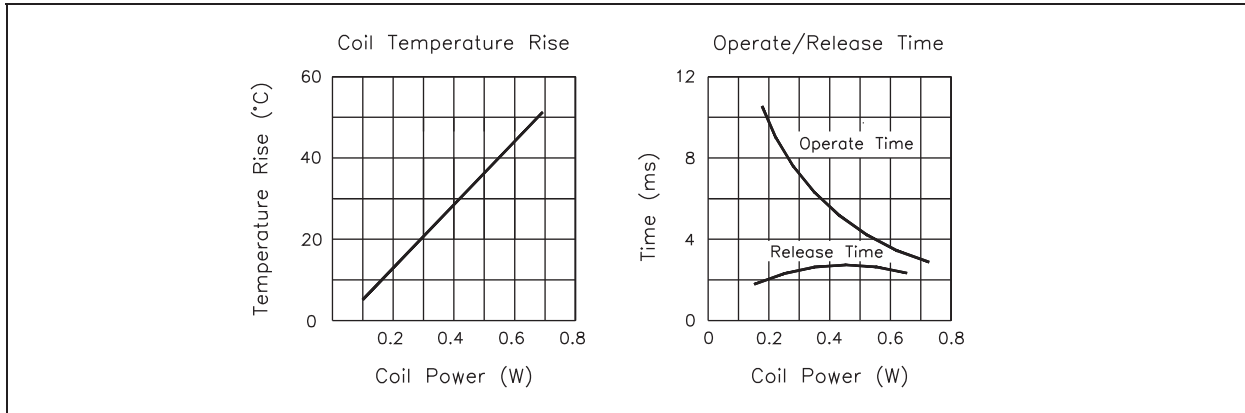
Operate Time	10 ms. max.
Release Time	4 ms. max.
Insulation Resistance	100 MΩ , at 500VDC, 50%RH
Dielectric Strength	3500 Vrms, 1 min. between coil and contacts, 1 Form A 2800 Vrms, 1 min. between coil and contacts, 1 Form C 750 Vrms, 1 min. between open contacts
Surge Resistance	5000 V
Shock Resistance	10 g, 11ms. functional; 100 g, destructive
Vibration Resistance	DA 1.5mm, 10 - 55 Hz
Ambient Temperature	-30°C to 60°C operating
Weight	6 g, approx.

ORDERING DESIGNATION

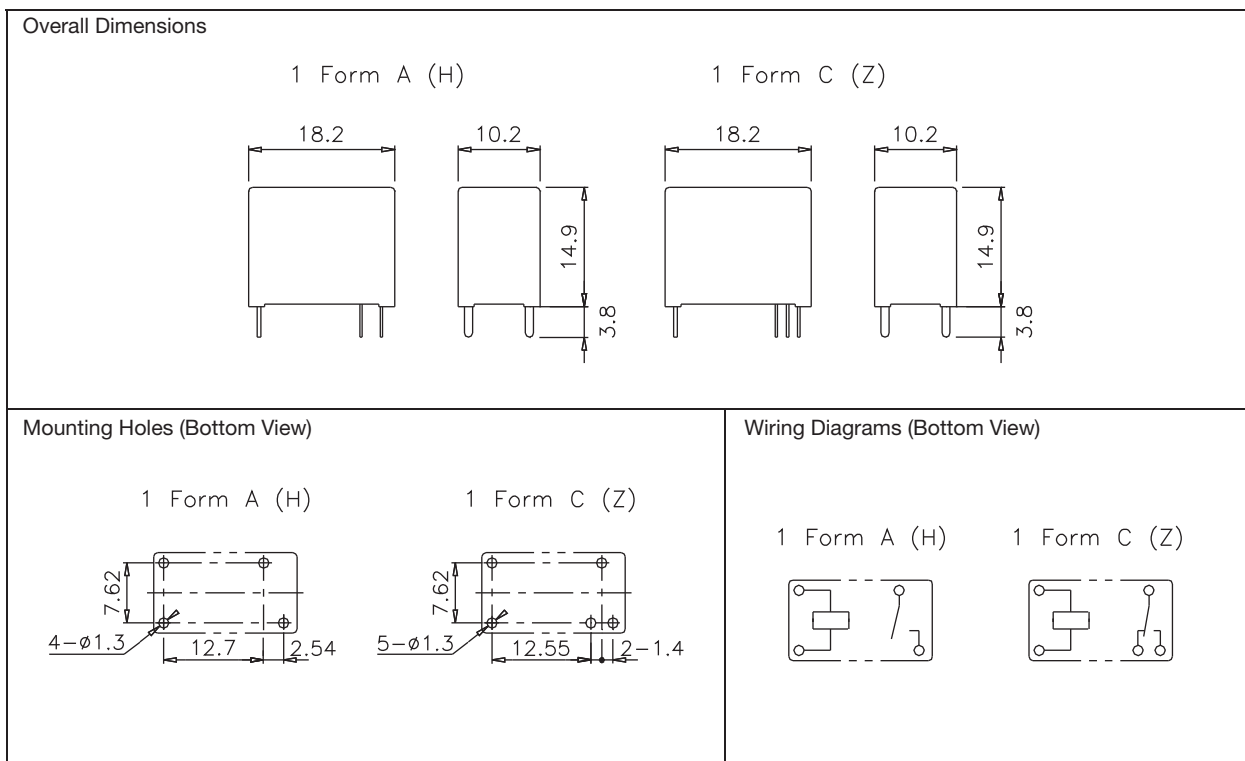
Example:	HG4183 /	012 -	H	1	C	L
Model						
Coil Voltage Code						
Contact Form						
H: 1 Form A; Z: 1 Form C						
Version						
1: Sealed; 2: Flux Free						
Contact Material						
A: AgNi0.15; C: AgCdO; S: AgSnOInO						
Coil Sensitivity						
Nil: Standard 0.45W; L: Sensitive 0.2W*						

*Note: Sensitive 0.2W (L) is only available for 1 Form A (H)

REFERENCE CURVES



OVERALL DIMENSIONS, MOUNTING HOLES AND WIRING DIAGRAMS (mm)



NOTES

1. All parameters, unless otherwise specified, are measured at ambient temperature 23°C.
2. For sensitive type L rated current is reduced to 70%
3. Custom-made services available with operational quantity. Please let us know your special requirements.
4. Specifications subject to change without prior notice.

Willow Technologies Limited
 Shawlands Court
 Newchapel Road
 Lingfield
 Surrey, RH7 6BL
 England
 Tel: +44 (0) 1342-835234
 Fax: +44 (0) 1342-834306
 email: sales@willow.co.uk