

FEATURES

- Self-functional flasher pack
- Universal interchangeable DIN terminal layout
- Give alarm signals when load opened or shorted

TYPICAL AUTOMOTIVE APPLICATIONS

- Flashers
- Other applications where impulse switching is needed

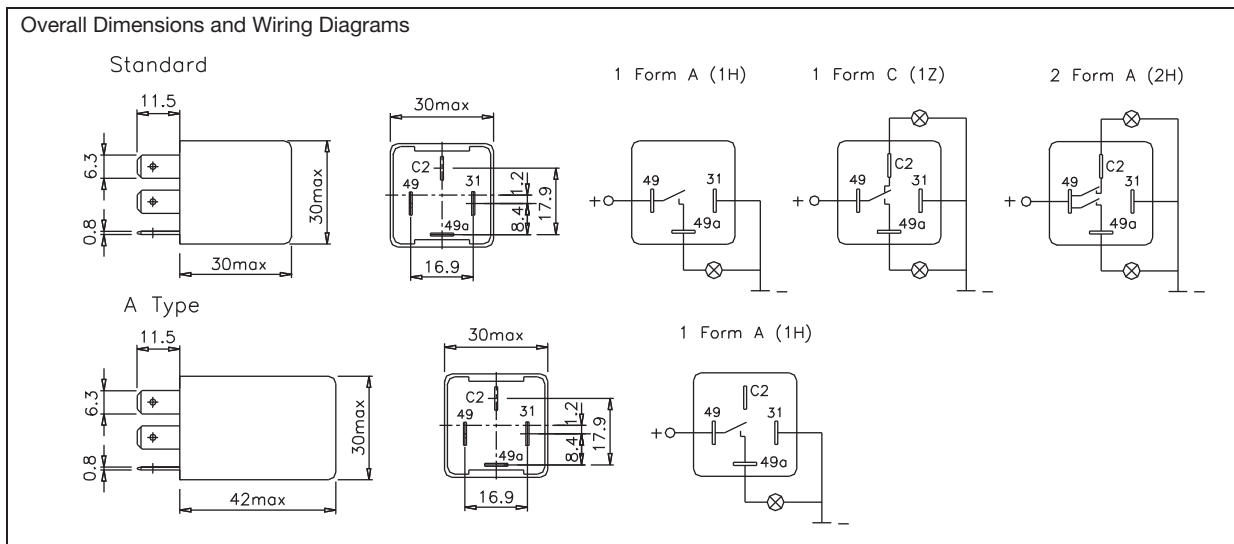
CHARACTERISTICS

Contact Form	1 Form A (1H), 1 Form C (1Z), 2 Form A (2H)
Contact Rating	21W x 4 + 4W x 2 Lamp
Electrical Life	200hr + 36hr
Nominal Voltage	12 VDC
Allowable Voltage Range	9 - 15 VDC
Max. Switching Voltage	28 VDC
Oscillation Frequency	1.5 ± 0.5 Hz
Vibration Resistance	DA 1.5 mm, 20 - 200 Hz
Shock Resistance	15 g, 11 ms
Power Consumption	1.8 W
Ambient Temperature	-25°C to 85°C operating
Weight	Standard: 35g; A Type: 42g, approx.

ORDERING DESIGNATION

Example:	HG4143 /	012 -	1H
Model			
Nominal Voltage			
Contact Form	1H: 1 Form A; 1Z: 1 Form C; 2H: 2 Form A		
Version	Nil: Standard; A: A Type		

OVERALL DIMENSIONS AND WIRING DIAGRAMS (mm)



NOTES

1. Custom-made services available with operational quantity. Please let us know your special requirements.
2. Specifications subject to change without prior notice.

Willow Technologies Limited
 Shawlands Court
 Newchapel Road
 Lingfield
 Surrey RH7 6BL
 England
 Tel: +44 (0) 1342 835234
 Fax: +44 (0) 1342 834306
 email: sales@willow.co.uk