

FEATURES

- Improved HG4138 relay by magnetic arc blowout
- Up to 45A switching capacity
- PCB + QC termination

TYPICAL APPLICATIONS

- Power supply devices
- Industrial control
- Medical equipment

CONTACT RATING

Form	1 Form A (1H)	1 Form B (1D)	1 Form C (1Z)	
			NO	NC
Resistive	45A, 240VAC 45A, 28VDC	15A, 240VAC 15A, 28VDC	30A, 240VAC 30A, 28VDC	15A, 240VAC 15A, 28VDC

UL /CSA RATING

Load Type	Voltage	1 Form A (1H)	1 Form B (1D)	1 Form C (1Z)	
				NO	NC
General Purpose	240VAC	45A	20A	30A	15A
Resistive	240VAC 28VDC	45A 30A	20A 15A	30A 30A	15A 15A
Motor	240VAC 120VAC	3HP 1.5HP	0.75HP 0.375HP	2HP 1.5HP	0.75HP 0.375HP
LRA /FLA	240VAC 120VAC	120A/45A 147A/33A	45A/15A	75A/30A	30A/10.5A
Tungsten	120VAC	TV8	TV4	TV8	TV4
Ballast	277VAC	15A	4.5A	15A	4.5A
Pilot Lamp	125 - 250VAC	700VA			

CONTACT DATA

Material		AgSnInO
Initial Contact Resistance		50 m Ω, max. at 0.1A, 6VDC
Service Life	Mechanical	10 <sup>7</sup> ops.
	Electrical	1.5 x 10 <sup>4</sup> ops.

COIL DATA

Coil Voltage Code	Nominal Voltage (VDC)	Resistance (Ω) ±10%	Must Operate Voltage max. (VDC)	Must Release Voltage min. (VDC)
005	5	27	3.75	0.5
006	6	40	4.50	0.6
009	9	97	6.75	0.9
012	12	155	9.00	1.2
024	24	660	18.00	2.4
048	48	2560	36.00	4.8
110	110	10330	82.50	11.0

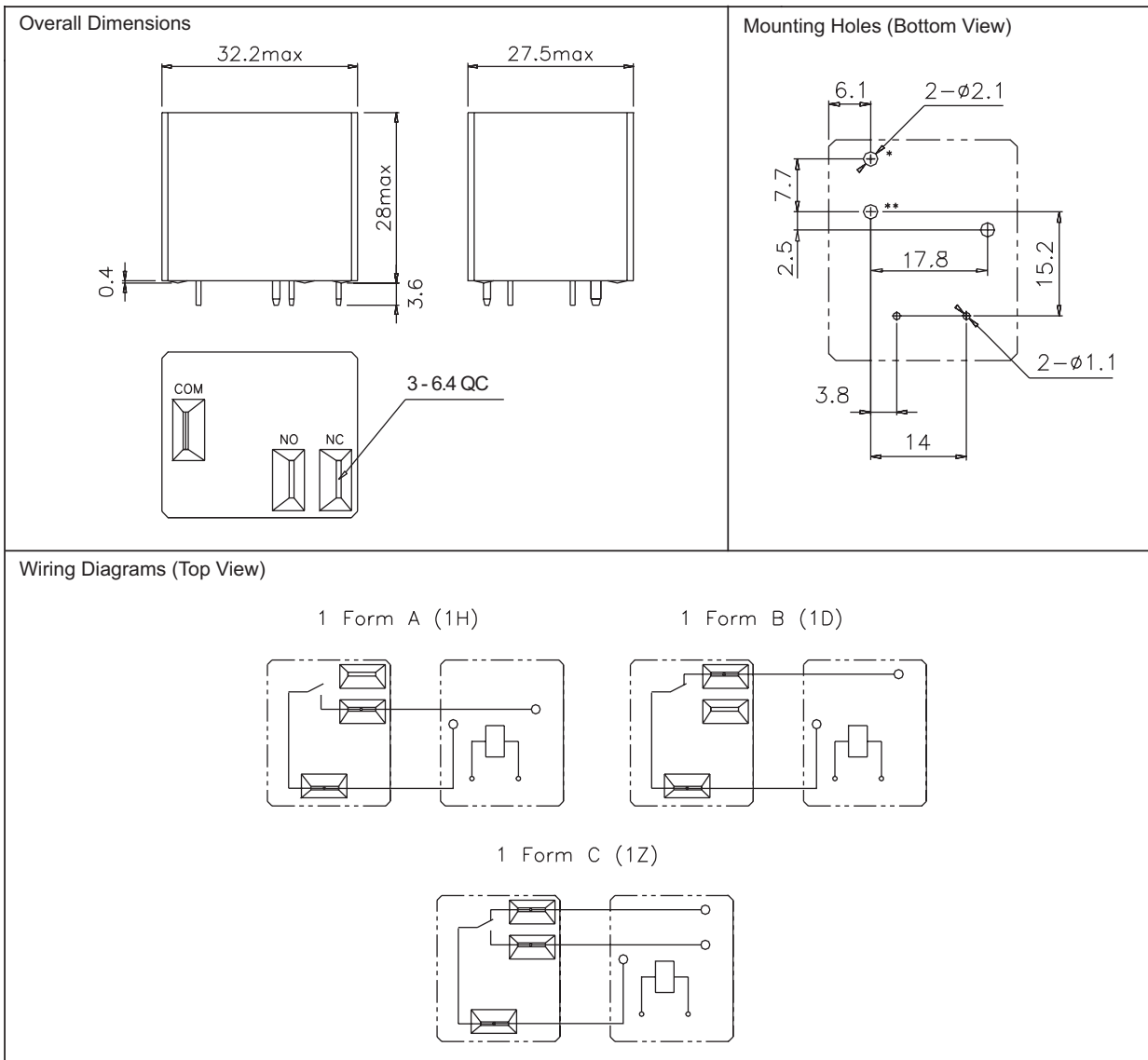
CHARACTERISTICS

Operate Time	15 ms. typical
Release Time	10 ms. typical
Insulation Resistance	1000 M Ω, at 500VDC, 50%RH
Dielectric Strength	1500 Vrms, 1 min. between open contacts 1500 Vrms, 1 min. between coil and contacts
Shock Resistance	10 g, 11ms, functional; 100 g, destructive
Vibration Resistance	DA 1.5mm, 10 - 55 Hz,
Power Consumption	1W, approx.
Ambient Temperature	-55°C to 85°C operating
Weight	32 g, approx.

## ORDERING DESIGNATION

Example:	HG4138L /	012 -	1Z	0	1	S	F	- P
Model								
Coil Voltage Code								
Contact Form 1H: 1 Form A; 1D: 1 Form B; 1Z: 1 Form C								
Mounting Version 0: PCB								
Version 1: Sealed; 2: Dust Cover								
Contact Material S: AgSnOInO								
Thermal Class Nil: UL Class B; F: UL Class F								
P: RoHS Compliance (lead-free)								

## OVERALL DIMENSIONS, MOUNTING HOLES AND WIRING DIAGRAMS (mm)



## NOTES

- All parameters, unless otherwise specified, are measured at ambient temperature 23°C.
- In mounting holes drawing the \* hole is not needed for 1 Form A, the \*\* hole is not needed for 1 Form B.
- For optimum electrical life, please remove the tape seal of the sealed version after cleaning process.
- Specifications subject to change without prior notice.

Willow Technologies Limited  
 Shawlands Court, Newchapel Road,  
 Lingfield, Surrey, England. RH7 6BL

Tel: +44 (0) 1342 835234  
 Fax: +44 (0) 1342 834306  
 email: sales@willow.co.uk