

CRS03 (unpackaged)

Angular Rate Sensor



A robust and affordable mass-produced gyroscope for automotive and commercial customers.

Angular rate sensors are used wherever rate of turn sensing is required without a fixed point of reference. The sensor will output a DC voltage proportional to the rate of turn and input voltage.

High performance motion sensing even under severe shock and vibration.

Whatever your application, the unique silicon ring technology, coupled with closed loop electronics, gives you advanced and stable performance over time and temperature, overcoming the mount sensitivity problems experienced with simple beam or tuning fork based sensors.

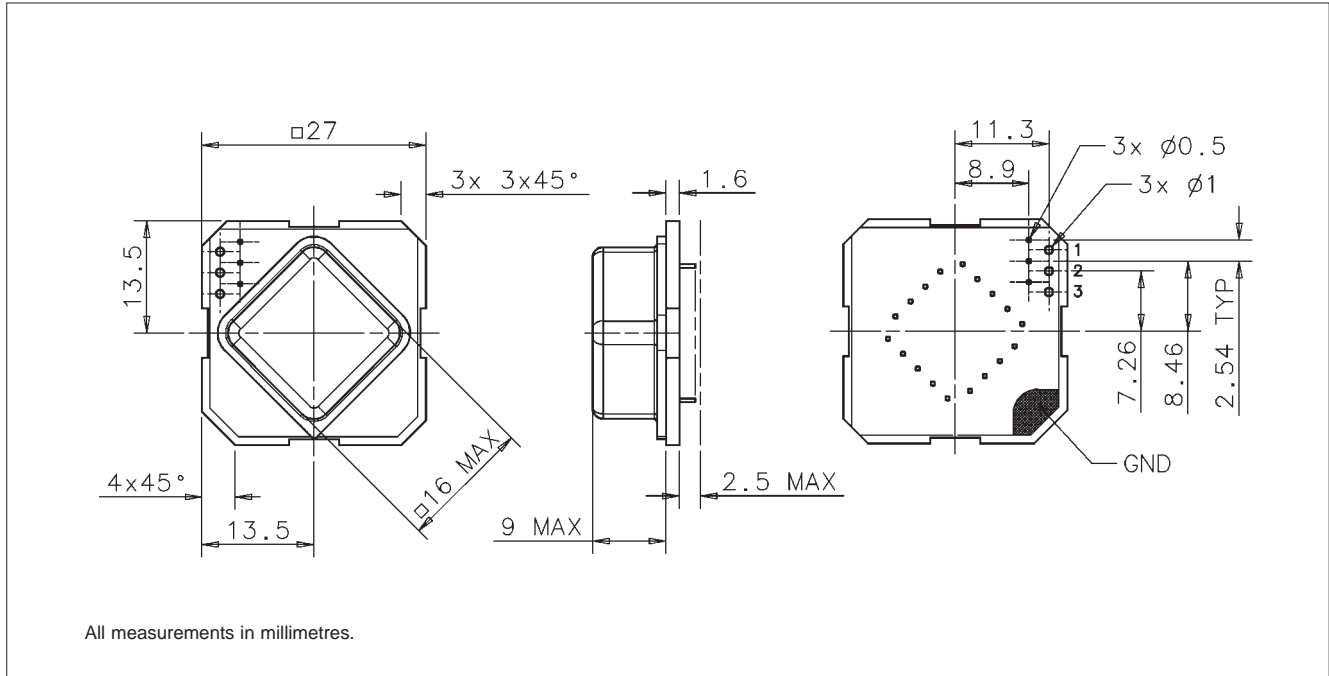
Key Features

- High rate range $\pm 573^\circ/s$
- Excellent performance over temperature
- Repeatable drift characteristic
- High shock and vibration operation
- Packaged options
- Other rate ranges available



CRS03 (unpackaged)

Angular Rate Sensor



Specification

Specification (Typical Data)	CRS03-11
Rate Range	$\pm 573^\circ/\text{s}$
Output	Analogue voltage (ratiometric)
Scale Factor	
Nominal	3.49mV/ $^\circ/\text{s}$
Variation over temperature range	$< \pm 5\%$
Non linearity	$< \pm 0.5\%$ of full scale
Bias	
Setting tolerance	$< \pm 30^\circ/\text{s}$
Variation over temperature range	$< \pm 30^\circ/\text{s}$
Ratiometric error	$< \pm 1^\circ/\text{s}$
Drift vs. time	$< \pm 0.55^\circ/\text{s}$ in any 30s period <small>(after ready time)</small>
g Sensitivity	$< \pm 0.1^\circ/\text{s/g}$ on any axis
Bandwidth	55Hz (-3dB)
Quiescent Noise	$< 1\text{mV rms}$
Environment	
Temperature	-20°C to $+60^\circ\text{C}$
Linear acceleration	$< 100\text{g}$
Shock	200g (1ms, 1/2 sine)
Vibration	2g rms (20Hz to 2kHz, random)
Cross-axis sensitivity	$< 5\%$
Mass	$< 10\text{ gram}$
Electrical	
Voltage (supply)	+4.75V to +5.25V
Current (supply)	$< 35\text{mA}$ (steady state)
Noise and ripple	$< 15\text{mV rms}$ (DC to 100Hz)
Ready time	$< 0.2\text{s}$

Pin Connections

Pin	Function
1	+5V
2	Ground
3	Rate Output

Clifftaford Road Southway
 Plymouth Devon
 PL6 6DE United Kingdom

T: +44 (0)1752 723330
 F: +44 (0)1752 723331
 E: sales@siliconsensing.com
 W: siliconsensing.com

1-10 Fuso-Cho
 Amagasaki
 Hyogo 6600891 Japan

T: +81 6 6489 5868
 F: +81 6 6489 5910
 E: sales@siliconsensing.com
 W: siliconsensing.com

Specification subject to
 change without notice.

© Copyright 2004 Silicon Sensing
 All rights reserved.
 Printed in England 12532 09/04