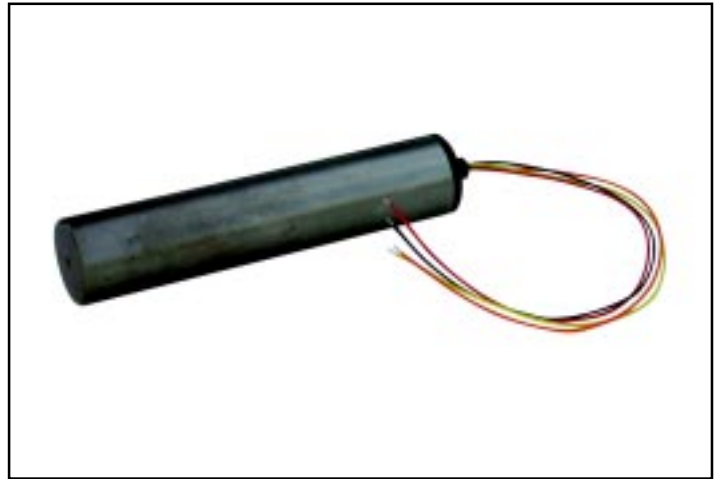


# Heading Sensor Towed Array

New

- ▼ 360 degrees continuous roll
- ▼ Heading Accuracy 0.5% RMS
- ▼ 1.1 inch or 0.9 inch diameter
- ▼ 2500 psi pressure rating
- ▼ RS232 digital output



## CHS110TB, CHS090TB

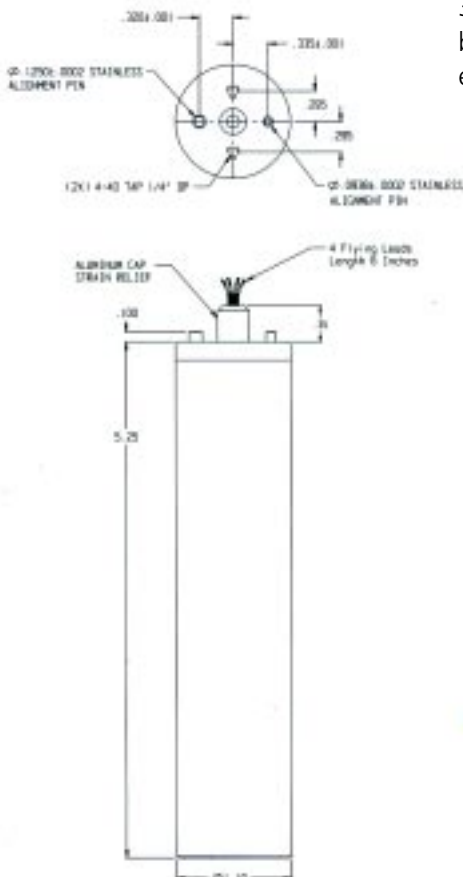
The CHS110TB/CHS090TB series of fully calibrated, small diameter heading sensors are ideally suited for high performance towed array and seismic streamer applications.

This solid-state "strapdown" configuration avoids the limitations of a typical gimballed system, and improves reliability. The 3-axis micro-machined accelerometer and 3-axis fluxgate magnetometer combined with digital signal processing electronics are all integrated within a

small diameter pressure rated housing. The internal DSP electronics samples and converts the input signals to 16-bit digital data and automatically compensates for any temperature and mis-alignment effects.

The calculated roll, pitch, and azimuth angles are provided on a bidirectional RS232 serial data link with user programmable data transfer rates of up to 9600 baud.

### Outline Drawing (CHS110TB shown)



Specifications	CHS110TB	CHS090TB
<b>Performance</b>		
Digital Resolution	16 bit	16 bit
Heading	1.0° RMS	0.5° RMS
Roll and Pitch	0.5° RMS	0.3° RMS
<b>Environmental</b>		
Operating Temperature	-5 to +40°C	-5 to +40°C
Operating Pressure	2500psi	2500psi
<b>Electrical</b>		
Power	+5V @ 75 mA	+5V @ 75 mA
Output Data Rate	5 Hz	5 Hz
Output Format	RS232 (300 to 9600 baud)	RS232 (300 to 9600 baud)
<b>Physical</b>		
Length	5.25" inches	5.25" inches
Diameter	1.1" inches	0.9" inches
Weight	5.0 oz.	4.5 oz.
Electrical Interface	Flying leads 6" inches long	Flying leads 6" inches long
Housing	Anodized Aluminum	Anodized Aluminum

Specifications subject to change without notice

Wire Color	Function
Red	+5 VDC
Black	Ground
Orange	RS-232 serial in
Yellow	RS-232 serial out

Pin Diagram



magnetometers

Ordering Information

Model	Description
CHS110TB	Heading Sensor
CHS090TB	Contact Factory